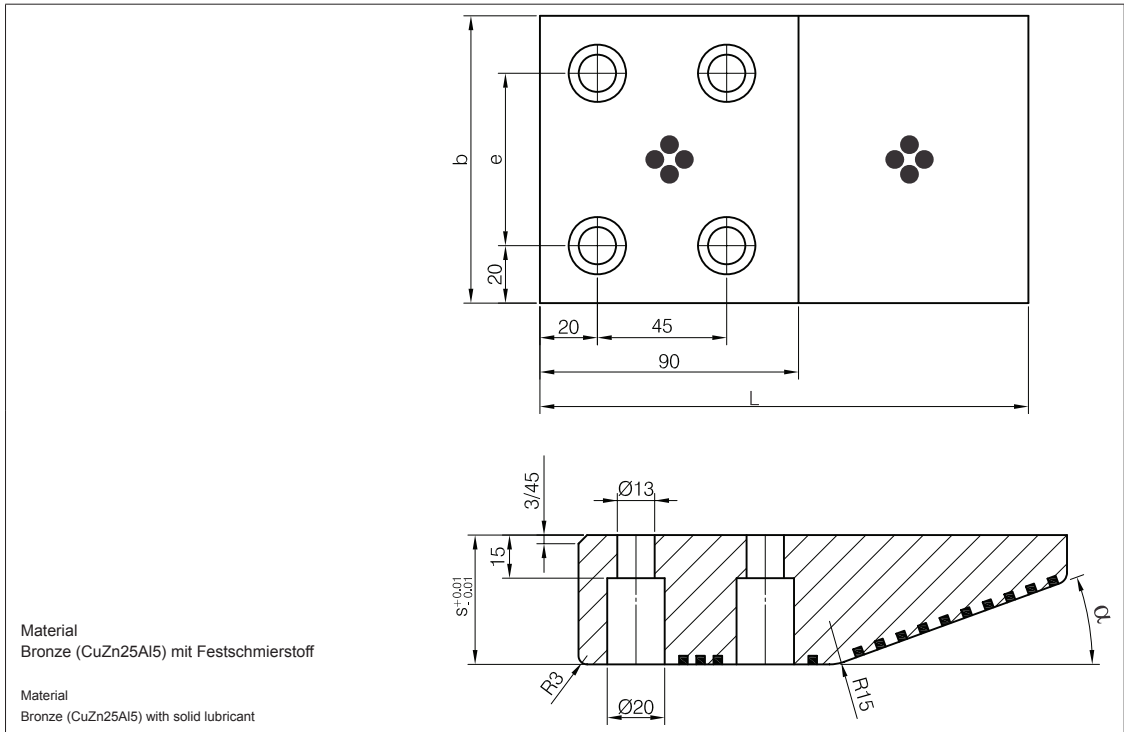


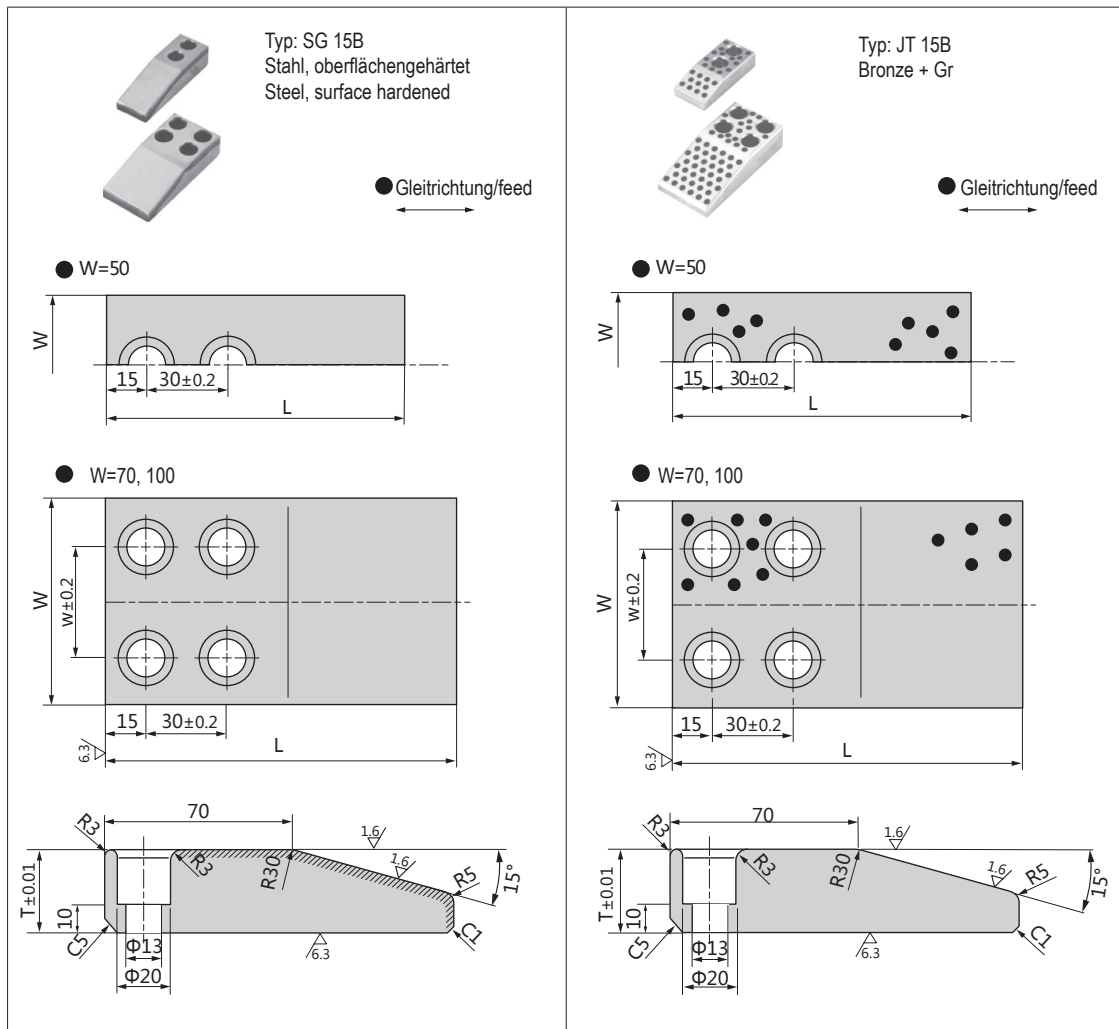
4-XXXXXX-302
VDI 3357


e	s	α	b	L
60	45	20	100	170
		30		150
	60	170		
85	45	20	125	170
		30		150
	60	170		
110	45	20	150	170
		30		150
	60	170		
160	45	20	200	170
		30		150
	60	170		

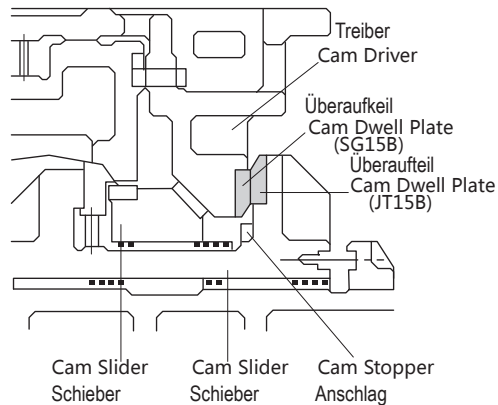
Bestellnummer / Order Number

Bestellung / Order: Katalog-Nr. / Catalog No.: - - Typ



SG15B/JT15B


Katalog-Nr. / Catalog No.		W	L	T	w
Stahl / Steel	Bronze				
SG15B50-110	JT15B50-110	50	110	25	-
130	130		130	30	
150	150		150	35	
SG15B75-110	JT15B75-110	75	110	25	40
130	130		130	30	
150	150		150	35	
SG15B100-110	JT15B100-110	100	110	25	60
130	130		130	30	
150	150		150	35	


Bestellnummer / Order Number

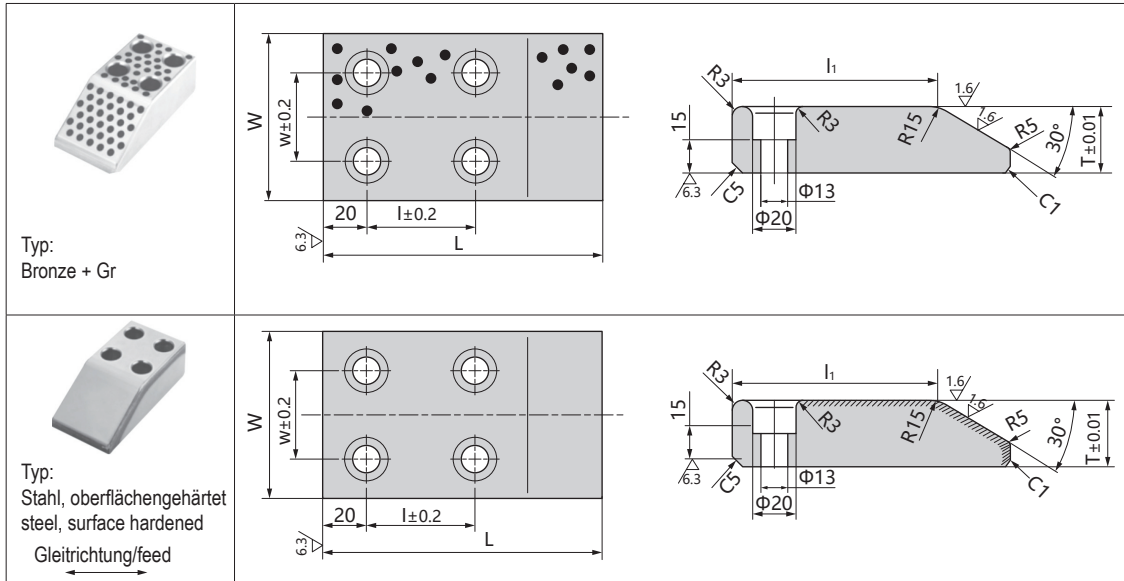
☎ Bestellung Order	Katalog-Nr. / Catalog No.	-	L
	JT 15B75	-	150
	SG 15B75	-	150





JT30B

SG30B



Typ:
Bronze + Gr

Typ:
Stahl, oberflächengehärtet
steel, surface hardened
Gleitrichtung/feed

Katalog-Nr. / Catalog No.		W	L	T	w	I	I ₁
Stahl / Steel	Bronze / Bronze						
SG30B75-130	JT30B75-130	75	130	30	40	50	95
150	150		150	45		45	90
170	170		170	60		75	120
200	200		200				
SG30B100-130	JT30B100-130	100	130	30	60	50	95
150	150		150	45		45	90
170	170		170	60		75	120
200	200		200				
SG30B125-130	JT30B125-130	125	130	30	85	50	95
150	150		150	45		45	90
170	170		170	60		75	120
200	200		200				
SG30B150-130	JT30B150-130	150	130	30	110	50	95
150	150		150	45		45	90
170	170		170	60		75	120
200	200		200				

Bestellnummer / Order Number

Bestellung / Order

Katalog-Nr. / Catalog No. - L

JT 30B125 - 150

SG 30B125 - 150

