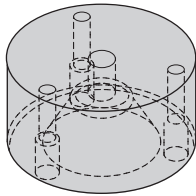
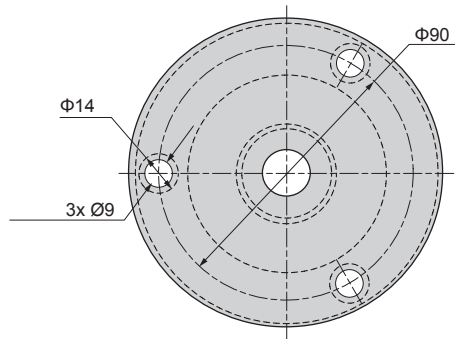
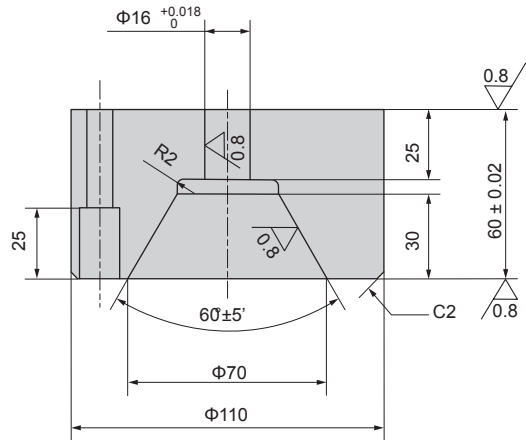


DM-AZDWA

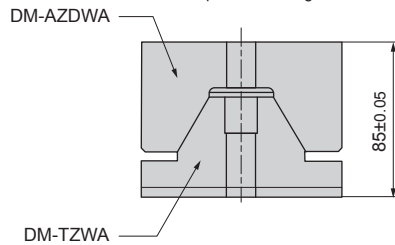


Material:HRC54-58
Härte:HRC50-55

Material:HRC54-58
Hardness:HRC50-55



Montagebeispiel
Example of mounting



Bestellnummer / Order Number

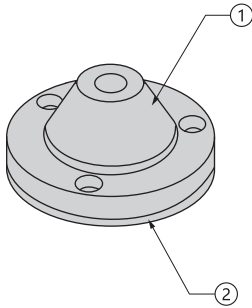


Bestellnr. / Catalog No.

DM-AZDWA



DM-TZDWA

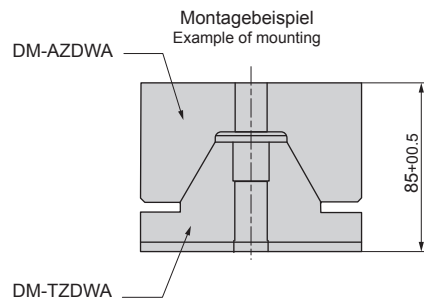
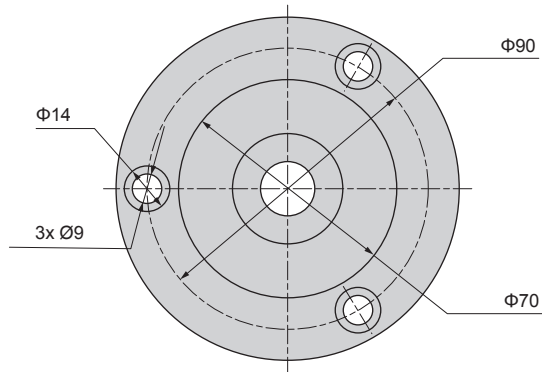
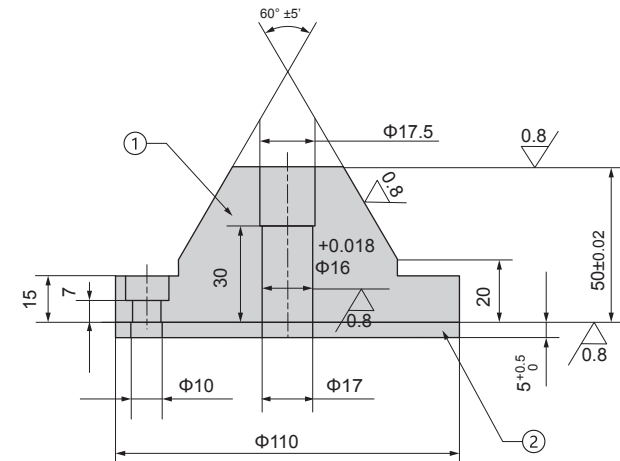


Bauteile:

- 1. Konvexer Kegel T8A HRC50-55
- 2. Deckscheibe 45 HRC28-32

Component parts:

- 1. Convex locator T8A HRC50-55
- 2. Gasket 45 HRC28-32



Bestellnummer / Order Number



Bestellnr. / Catalog No.

DM-TZDWA

