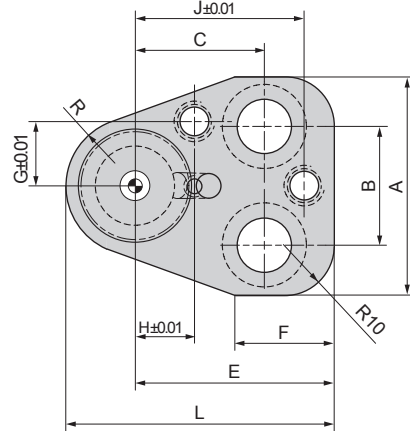
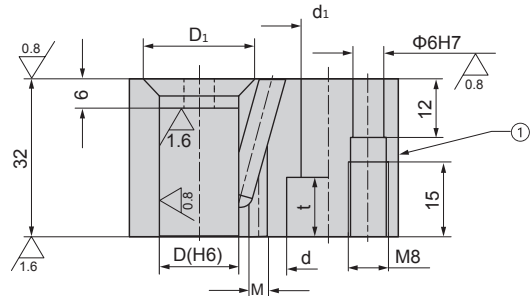
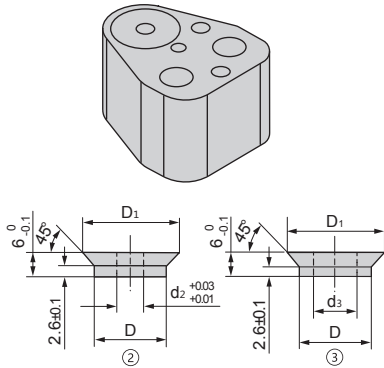


**MRA-QPL(P),MRA-QDL(N)**

 Kompakte Bauweise, bei geringer Belastung  
 Light load compact type

**Bauteile:**

1. Stempelaufnahme SNCM220 HRC55~58
2. Druckplatte SK 4 HRC56~60
3. Druckplatte SK 4 HRC56~60
4. Schraube (2)
5. Stift (2) MSTM6-30
6. Steckbolzen (2)MSE8
7. Passstift (1)MS6-20

**Component parts:**

- 1.Retainer SNCM220 HRC55~58
- 2.Pressure plate SK 4 HRC56~60
- 3.Pressure plate SK 4 HRC56~60
- 4.Bolt (2)
- 5.Pin (2) MSTM6-30
- 6.Plug bolt (2)MSE8
- 7.Dowel pin (1)MS6-20

Bestellmöglichkeiten / Order possibilities	Bestell-Nr. Catalog No.	Bauteile Component parts							D
		①	②	③	④	⑤	⑥	⑦	
MRA-QPL		○	○		○	○	○	○	10-32
MRA-QDL		○		○	○	○	○	○	13-38
MRA-QPLP		○	○						10-32
MRA-QDLN		○		○					13-38

Bestell-Nr. Catalog No.		A	B	C	E	F	G	H	J	R	D <sub>1</sub>	L	d	d <sub>1</sub>	t	d <sub>2</sub>	M	d <sub>3</sub>	Zusatz-einrichtung Attachement ④				
Type	D																						
MRA-QPL MRA-QPLP MRA-QDL MRA-QDLN	(10)	+0.009 0	37	20	21	35	20	10	9	29	9.5	16	44.5	14	9	10	6	4	—	M8X40			
	13	+0.011 0	43	26	23	38		13	11	32	12	19	50	17	11	12			6.2				
	16		44	24	26	40		12	34	14	22	54	9										
	20	+0.013 0	48	28	27	42		16	14	36	17	26	59						12	M10X40			
	25		50		30	46		18	17	39	19.5	31	65.5						17				
	32	+0.016 0	54	30	33	48		21	20	42	23	38	71						21		M12X40		
	(38)		58		35	52		23	23	46	26	44	78						19	13		14	27

**Bestellnummer / Order Number**


Bestellnr. / Catalog No.

**DM-QPL16**
