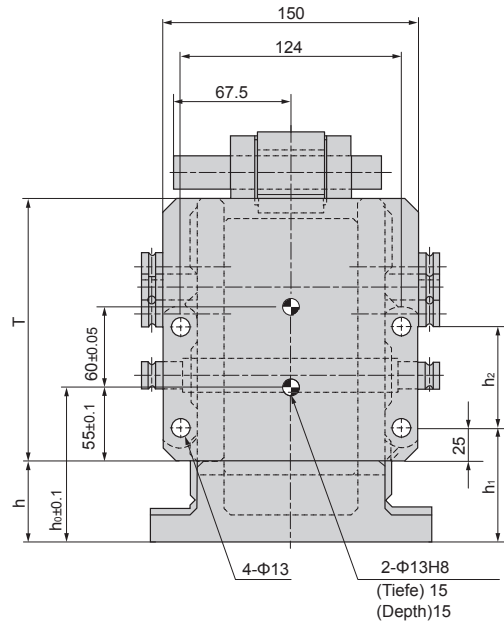
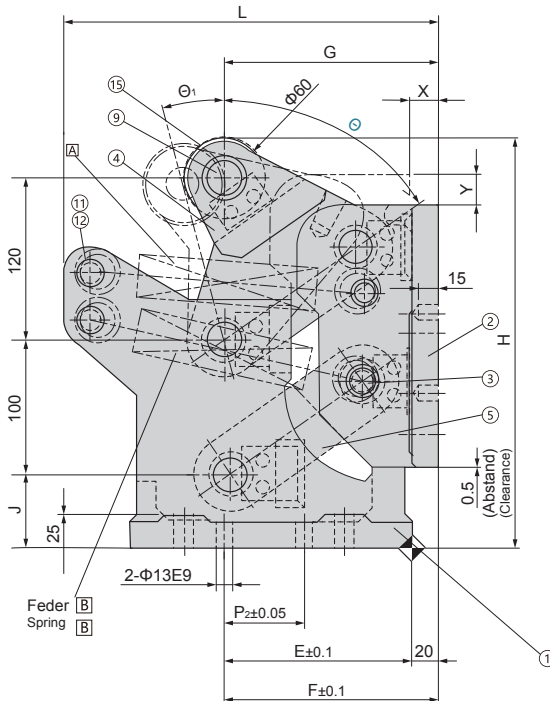
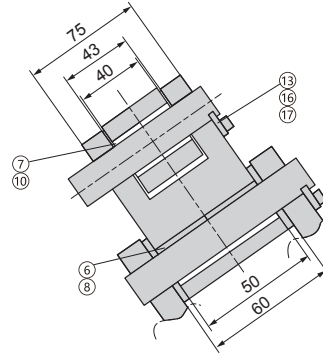
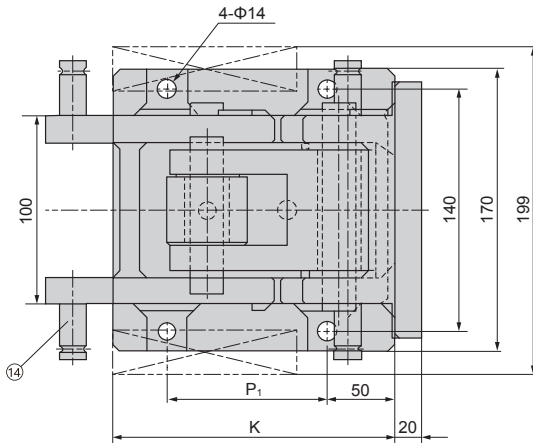
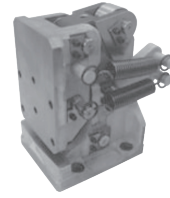



**SX-ZWQP**

Diese Zeichnung zeigt den rechten Teil.  
Der linke Teil ist symmetrisch zu dieser Zeichnung

This Drawing shows the right hand .  
The left hand is symmetric to this drawing



**Bestellnummer / Order Number**

 Bestellnr. / Catalog No. -  $\theta$  - R/L  
**SX-ZWQP** - **45** - **L**





| θ  | θ <sub>1</sub> | E   | F   | G   | H   | J  | K   | L   | T   | X    | Y    | P <sub>1</sub> | P <sub>2</sub> | h  | h <sub>0</sub> | h <sub>1</sub> | h <sub>2</sub> | Arbeitskraft<br>Working force (N) |
|----|----------------|-----|-----|-----|-----|----|-----|-----|-----|------|------|----------------|----------------|----|----------------|----------------|----------------|-----------------------------------|
| 45 | 15             | 140 | 160 | 160 | 305 | 55 | 210 | 280 | 210 | 24.9 | 19.1 | 120            | 60             | 60 | 115            | 85             | 77             | 941                               |
|    |                |     |     |     |     |    |     |     | 195 | 21.2 | 23.1 |                |                |    |                |                | 75             |                                   |
| 70 | 25             | 165 | 185 | 190 | 310 | 60 | 235 | 315 | 190 | 27.9 | 43.8 | 145            | 85             | 50 | 105            | 75             | 55             | 706                               |

| θ  | Feder<br>Spring | Ausgangslänge<br>Free Length (mm) | Anfangslänge<br>Initial Length (mm) | Ausgangskraft<br>Initial Length Force N(kgf) | Schlusslänge<br>Final Length (mm) | End-Zugkraft<br>Final Tensile Force N(kgf) |
|----|-----------------|-----------------------------------|-------------------------------------|--|-----------------------------------|--|
| 45 | A               | 130.0                             | 144.9                               | 178.9x2(18.2x2)                              | 168.4                             | 303.9x2(30.8x2)                            |
|    | B               |                                   | 143.4                               | 170.9x2(17.4x2)                              | 170.1                             | 312.7x2(31.9x2)                            |
| 55 | A               |                                   | 147.0                               | 190.0x2(19.4x2)                              | 168.4                             | 304.8x2(31.1 x2)                           |
|    | B               |                                   | 146.6                               | 187.8x2(19.2x2)                              | 171.5                             | 320.3x2(32.7x2)                            |
| 70 | A               | 174.0                             | 191.9                               | 162.5x2(16.6x2)                              | 235.9                             | 317.3x2(32.4x2)                            |
|    | B               |                                   | 196.0                               | 176.8x2(18.0x2)                              | 240.3                             | 332.5x2(33.9x2)                            |

**Stückliste**

Table of Components

| Nr.<br>No. | Beschreibung<br>Description                          | Menge<br>Qty | Material und Bemerkung<br>Material and Remark |
|------------|--|--------------|---|
| ①          | Grundplatte / Base                                   | 1            | QT450   |
| ②          | Träger / Bracket                                     | 1            | QT450   |
| ③          | Welle / Shaft  | 1            | C45   |
| ④          | Arm  | 1            | C45   |
| ⑤          | Arm  | 1            | C45   |
| ⑥          | Wartungsfreie Buchse / Oilless Bushing               | 4            | Bronze mit Graphit/with Graphite              |
| ⑦          | Wartungsfreie Buchse / Oilless Bushing               | 1            | Bronze mit Graphit/with Graphite              |
| ⑧          | Wartungsfreie Scheibe / Oilless Washer               | 8            | Bronze mit Graphit/with Graphite              |
| ⑨          | Gelenkbolzen / Hinge Pin                             | 4            | C45   |
| ⑩          | Wartungsfreie Scheibe / Oilless Washer               | 2            | Bronze  |
| ⑪          | Feder / Spring                                       | 4            | 65Mn  |
| ⑫          | Ring   | 8            | 65Mn  |
| ⑬          | Passfeder / Key                                      | 5            | Q235  |
| ⑭          | Gussstift / Casting Pin                              | 6            | Q235  |
| ⑮          | Antriebsrolle / Cam Roller                           | 1            | C45   |
| ⑯          | Innensechskantschraube / Hexagon Socket<br>Head Bolt | 10           | M6x20   |

| Bestell-Nr.<br>Catalog No. | θ  | R/L |
|----------------------------|----|-----|
| SX-ZWQP                    | 45 | R-L |
|                            | 55 |     |
|                            | 70 |     |

