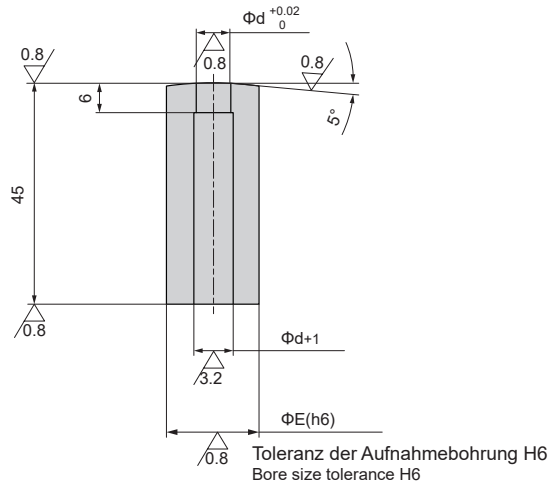




DM-AMKA



Material: M (Cr12MoV)
C (W6Mo5Cr4V2)
Härte: HRC58-62
Die Buchse wird für Materialdicken < 6mm verwendet

Material: M (Cr12MoV)
C (W6Mo5Cr4V2)
Hardness: HRC58-62
The die used for material thickness < 6mm

d	E (h6)	
<9	19	0 -0.013
9-10.2	22	
10.3-13.2	25	
13.3-15.2	28	
15.3-17.2	32	0 -0.016
17.3-23.2	36	
23.3-27.2	40	
27.3-37.2	48	
37.3-41.2	55	0 -0.019
41.3-51.2	66	

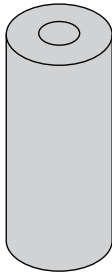
Bestellnummer / Order Number

☎ Bestellnr. / Catalog No. - d - C/M
DM-AMKA - 7.3 - C



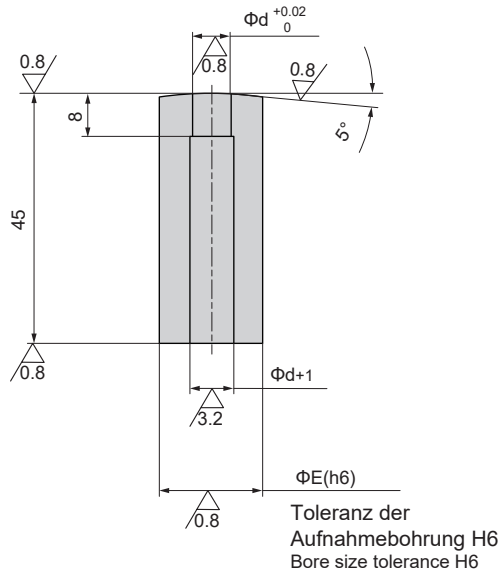


DM-AMKB



Material: M (Cr12MoV)
C (W6Mo5Cr4V2)
Härte: HRC58-62
Die Buchse wird für Materialdicken < 8mm verwendet

Material: M (Cr12MoV)
C (W6Mo5Cr4V2)
Hardness: HRC58-62
The die used for material thickness < 8mm



d	E (h6)	
<9	19	0 -0.013
9-10.2	22	
10.3-13.2	25	
13.3-15.2	28	
15.3-17.2	32	0 -0.016
17.3-20.2	36	
20.3-24.2	40	
24.3-27.2	44	
27.3-32.2	48	0 -0.019
32.3-36.2	52	
36.3-40.2	56	
40.3-44.2	60	
44.3-51.2	67	

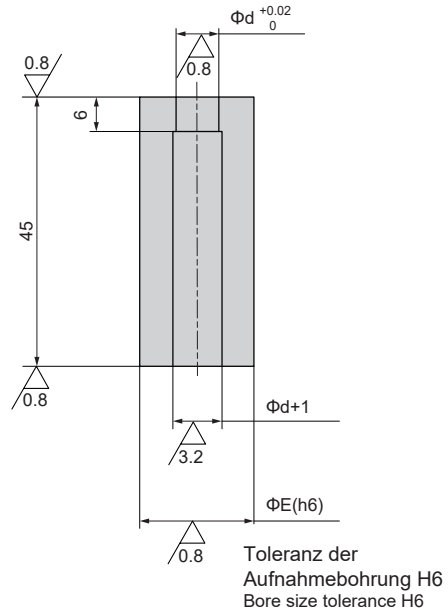
Bestellnummer / Order Number

☎ - -
DM-AMKB - **7.3** - **C**





DM-AMKC



Material: M (Cr12MoV)
C (W6Mo5Cr4V2)
Härte: HRC58-62
Die Buchse wird für Materialdicken < 6mm verwendet

Material: M (Cr12MoV)
C (W6Mo5Cr4V2)
Hardness: HRC58-62
The die used for material thickness < 6mm

d	E (h6)	
<9	19	0 -0.013
9-10.2	22	
10.3-13.2	25	
13.3-15.2	28	
15.3-17.2	32	0 -0.016
17.3-23.2	36	
23.3-27.2	40	
27.3-37.2	48	
37.3-41.2	55	0 -0.019
41.3-51.2	66	

Bestellnummer / Order Number

☎ - -
DM-AMKC - **7.3** - **C**

