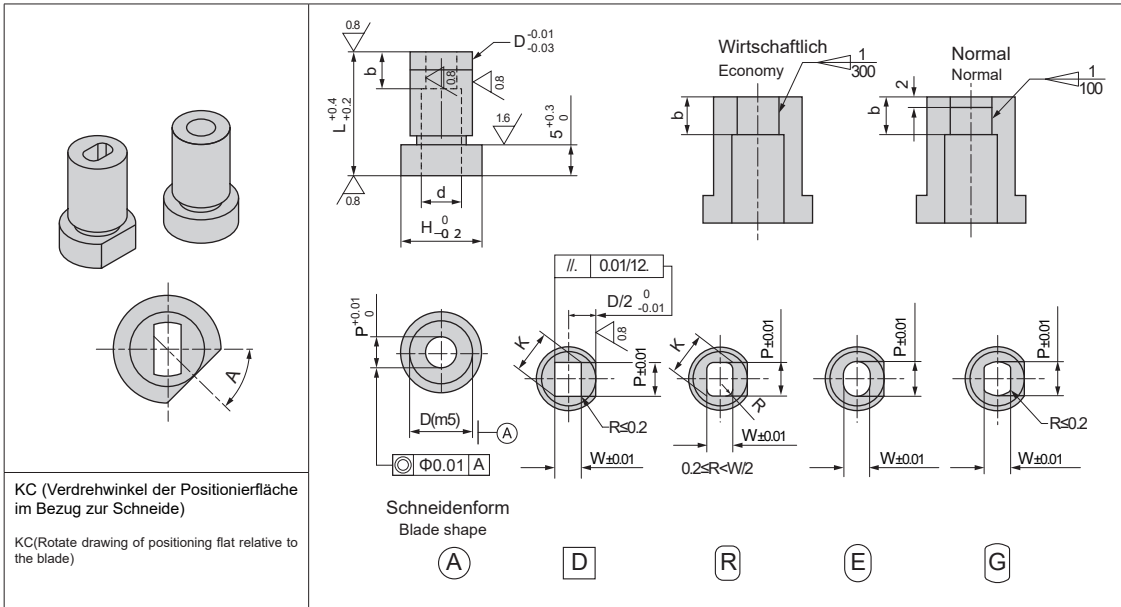


SZ-AMS, SZ-AMSE

SZ-AMSP, SZ-AMSPE



Bestell-Nr. Catalog No.		L		Abmessung in 0,01 mm Schritten Dimensions span 0.01 mm (A)		Abmessung in 0,01 mm Schritten Dimensions span 0.01 mm (D) (R) (E) (G)		R	B	d	H
Typ Type	D	P		K max.	W min.						
(entspricht / equivalent SKD11 HRC60-63) Economy Normal	8	+0.012		1.00-2.00	2.00	1.00		unter less than (0.20- W/2)	8	P(K)+1	11
	10	+0.006		2.00-4.00	4.00	1.20					13
	13	+0.015		3.00-6.00	6.00	1.50					16
	16	+0.007		5.00-8.00	8.00	2.00					19
	20			7.00-10.00	10.00	3.00					23
	22	+0.017		8.00-12.00	12.00	3.00					25
	25	+0.008		10.00-15.00	15.00	3.00					28
	32			15.00-20.00	20.00	4.00					35
	38	+0.020		19.00-26.00	26.00	5.00					41
	45	+0.009		20 25 30 35	25.00~34.00	6.00					48
(Powder high speed steel HRC64- 67) Economy Normal	50			20 25 30 35	33.00~38.00	7.00		53			
	56	+0.024 +0.011		20 25 30 35	38.00~45.00	8.00		59			
	8	+0.012		1.00-2.00	2.00	1.00		8	P(K)+1	11	
	10	+0.008		2.00-4.00	4.00	1.20				13	
	13	+0.015		3.00-6.00	6.00	1.50				16	
	16	+0.007		5.00-8.00	8.00	2.00				19	
	20	+0.017		7.00-10.00	10.00	3.00				23	
	25	+0.008		10.00-16.00	16.00	3.00				28	

Bestellnummer / Order Number

 Bestellnr. / Catalog No. - **L** - **P** - **W** - **R**

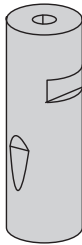
SZ-AMSA13 - **30** - **7.0**

KC A=45 **SZ-AMSA13** - **30** - **7.0** - **KC45**

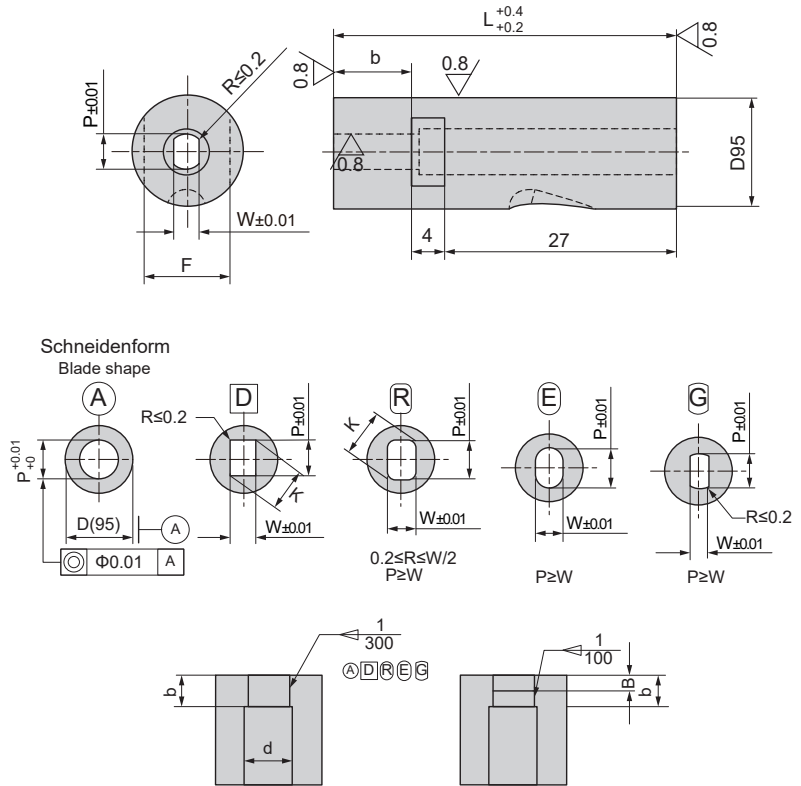




SZ-AMC,SZ-AMCE



Material: entspricht SKD11
Härte:HRC60-63
Material: equivalent SKD11
Hardness:HRC60-63



Bestell-Nr. Catalog No.		L	Abmessung in 0,01 mm Schritten Dimensions span 0.01 mm A		B	b	d	F
Typ Type	D		P	K max. W min.				
Wirtschaftlich Economy Normal Normal A SZ-AMCEA SZ-AMCA D SZ-AMCED SZ-AMCD R SZ-AMCER SZ-AMCR E SZ-AMCEE SZ-AMCE G SZ-AMCEG SZ-AMCG	13	40	3.00-5.00	5.00 2.50	6	10	5.4	10
	16		3.50-8.00	8.00 3.00			8.4	13
	20		7.00-10.00	10.00 3.00	8	12	11.4	17
	25		10.00-16.00	16.00 4.00			16.6	22
	32		15.00-20.00	20.00 5.00	10	15	20.6	29
	38		19.00-26.00	26.00 5.00			26.6	35

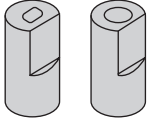
Bestellnummer / Order Number

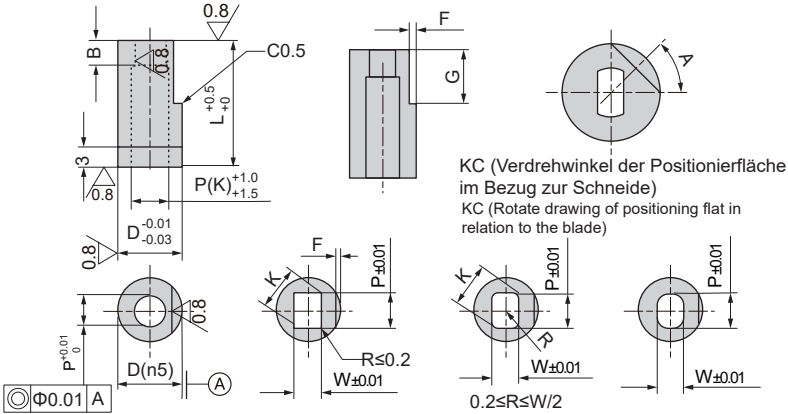
Bestellnr. / Catalog No. - L - P - W - R
 SZ-AMCA32 - 40 - 16.00 10.00 4.9






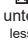
PU-AMR





Material:A2 (entspricht SKD11)
Härte:HRC60-63

Material: A2(equivalent SKD11)
Hardness:HRC60-63

Bestell-Nr. Catalog No.		L	Abmessung in 0,01 mm Schritten Dimensions span 0.01 mm		R	B	G	F		
Typ Type	Form		P R	K max. W min.						
PU-AMR		8	1.50-2.20	—	 unter less than (0.20- W/2)	48	10	1.5		
		10	1.50-4.00	4.00					1.20	
		13	3.00-6.00	6.00					2.00	
		16	5.00-8.00	8.00					2.40	
		20	20 25 30 35	7.00-10.00		10.00	3.20	512	12	2
		22	9.00-12.00	12.00		4.00				
		25	11.00-15.00	15.00		4.80				
		32	13.00-19.80	19.80		5.50				
		38	16.00-26.00	26.00		6.40				
		40	25 30 35	16.00-26.00		26.00	6.40			
		45	25 30 35 40	19.00-32.00		32.00	8.00			
		50		22.00-36.00		36.00	9.00			
		56		25.00-43.00		43.00	10.00			
		63		28.00-48.00		48.00	11.00			
71	31.00-56.00	56.00	12.00							

Bestellnummer / Order Number

☎	Bestellnr. / Catalog No.	-	B	-	L	-	P	-	W	-	R	-	A
	PU-AMRR13	-	5	-	30	-	7.00	-					
KC A=45	PU-AMRS13	-	5	-	30	-	7.00	-	3.00	-	KC45		

