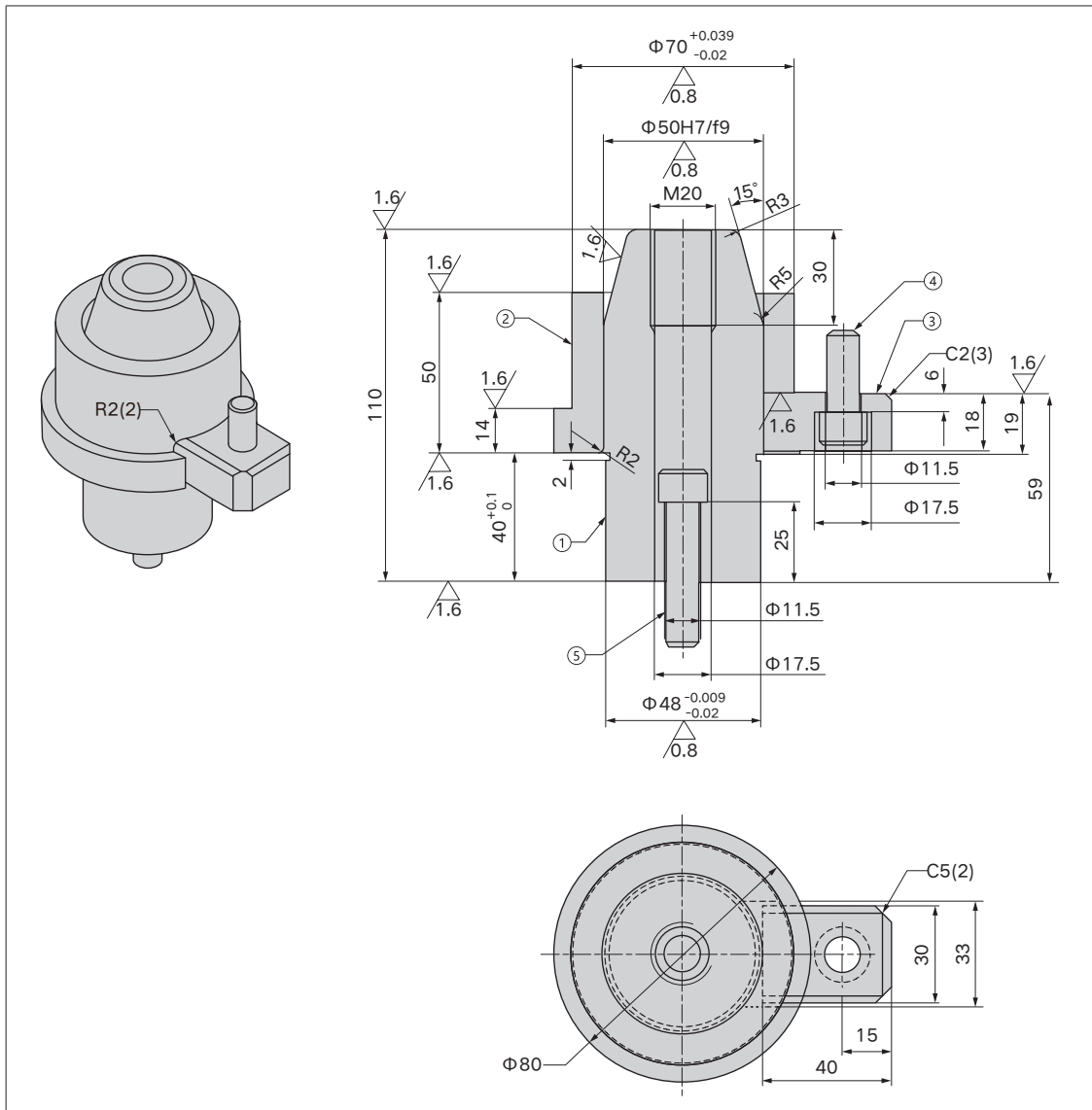


DM-DWXHA


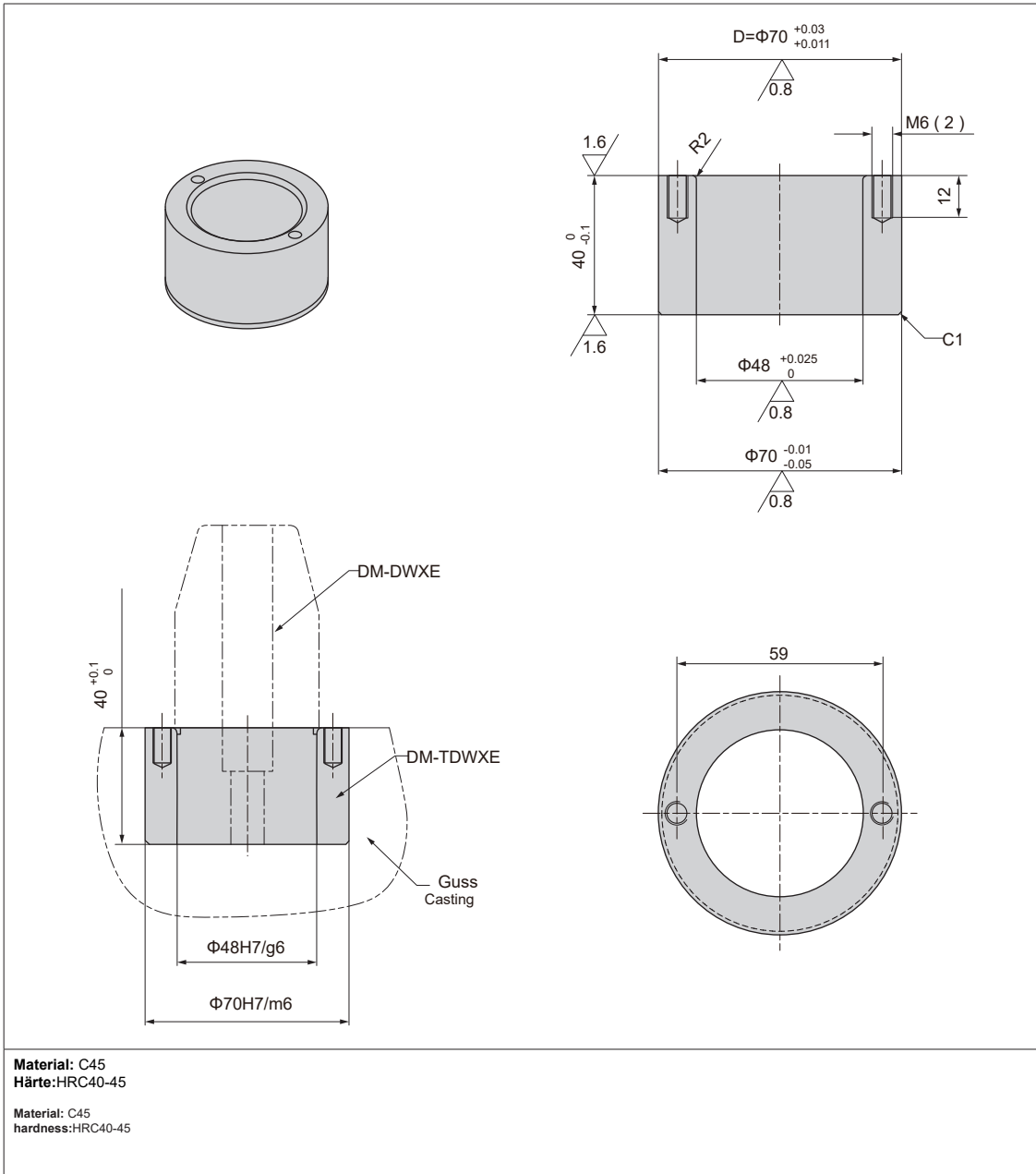
①	Passstift Dowel pin	I	T10A	HRC50-55	DM-DWXE
②	Positionierhülse Locating bushing	I	T10A	HRC50-55	DM-DWT50
③	Druckplatte Pressure Plate	I	C45	HRC28-32	
④	Schraube Screw	I	M10X25	GB70	
⑤	Schraube Screw	I	M10X45	GB70	DM-DWXE

Bestellnummer / Order Number


Bestellnr. / Catalog No.

DM-DWXHA


DM-TDWXE



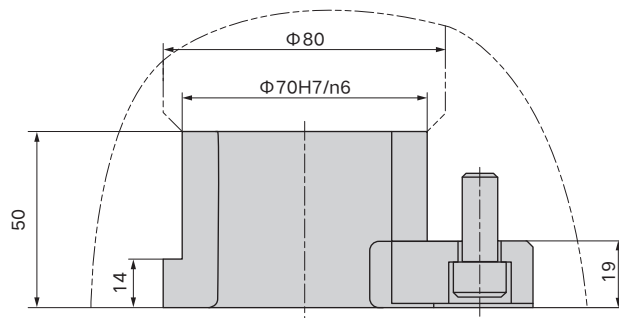
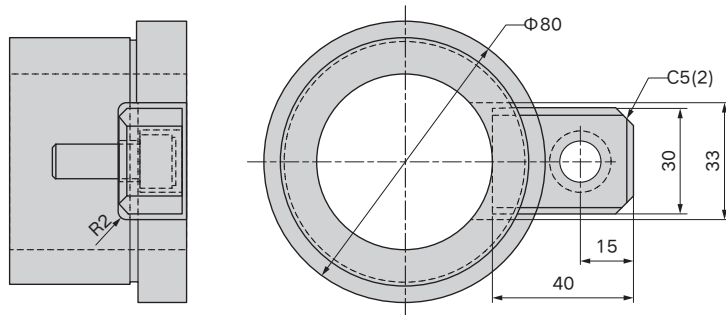
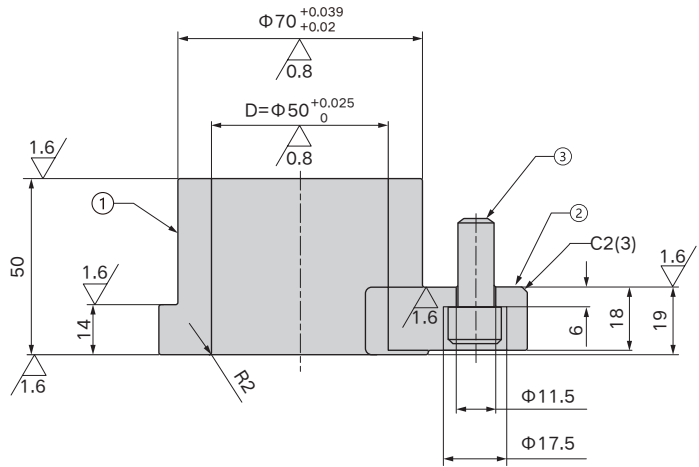
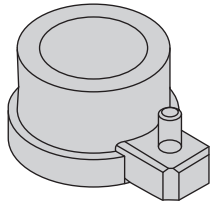
Bestellnummer / Order Number



Bestellnr. / Catalog No.

DM-TDWXE70



DM-DWT

Bauteile:

1 Buchse	1 T10A HRC50-55
2 Haltestück	1 C45 HRC28-32
3 Innensechskantschraube	1 M10X25 GB70

Component parts:

1, Locating bushing	1 T10A HRC50-55
2, Pressure Plate	1 45 HRC28-32
3, Hexagon socket head bolt	1 M10X25 GB70

Bestellnummer / Order Number


Bestellnr. / Catalog No.

DM-DWT50