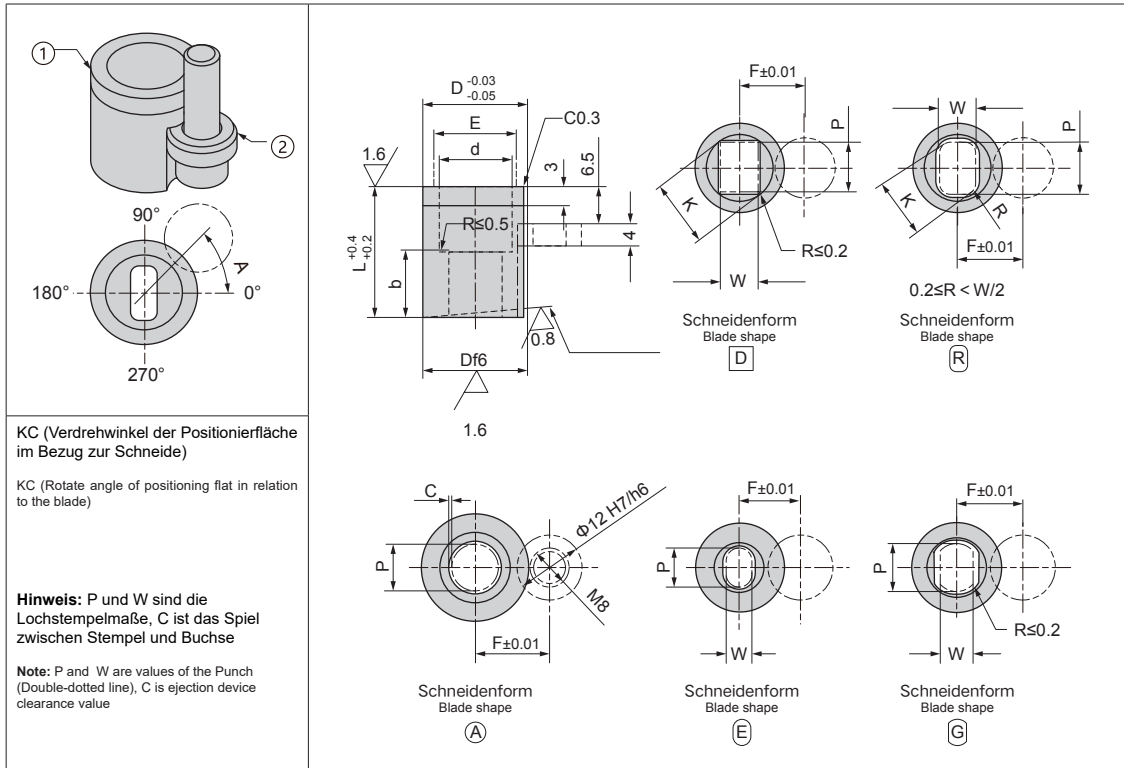


DM-DCTA



Teilenummer Part number	Beschreibung Description	Spezifikation Specification	Standardnummer Standard number	Material
1	Ejection device bushing			45 (HRC28-32)
2	Unrotated key	12	DM-FZ12	

Bestell-Nr. Catalog No.	L	D	Abmessung in 0,01 mm Schritten Dimensions span 0.01mm A	Abmessung in 0,01 mm Schritten Dimensions span 0.01mm D R E C		R	b	d	F	E	C	
			P	K max.	W min.							
A <input checked="" type="checkbox"/> B <input checked="" type="checkbox"/> C <input checked="" type="checkbox"/> D <input checked="" type="checkbox"/> E	16	20	16	2.0-7.97	7.97	2.5	unter less than (0.20- W/2)	10	11	12	12	Spiel clearance value
	20	20	20	3.0-10.97	10.97	3.0						
	25	20	25	3.0-14.97	14.97	3.0						
	32	20	32	4.0-18.97	18.97	4.0						
	38	20	38	5.0-23.97	23.97	5.0						
	45	20	45	6.0-30.97	30.97	6.0						
	50	25	50	7.0-38.97	38.97	7.0						
	56	25	56	8.0-44.97	44.97	8.0						
							12	14	13.5	15		
								17	16	18		
								21	19.5	22		
								26	22.5	27		
								33	26	34		
								41	28.5	42		
								47	31.5	48		

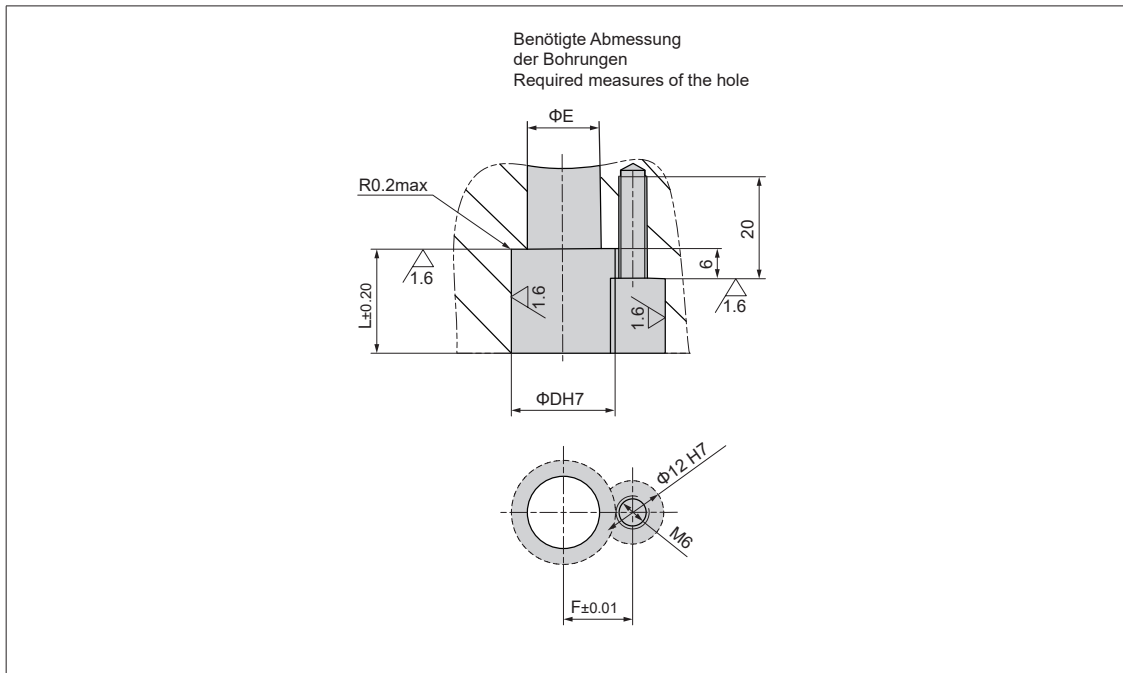
Bestellnummer / Order Number






☎ Bestellnr. / Catalog No. - **W** - **R** - **C**

DM-DCTA16 - **8** - - **0.5**


KC A=45 **DM-DCTA16** - **8** - - **0.5** - **KC45**



DM-DCTA


Bestell-Nr. Catalog No.		L	D	F	E
Typ Type	Nr. No.				
    	16	20	16	12	12
	20	20	20	13.5	15
	25	20	25	16	18
	32	20	32	19.5	22
	38	20	38	22.5	27
	45	20	45	26	34
	50	25	50	28.5	42
	56	25	56	31.5	48

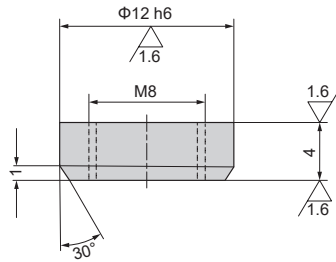
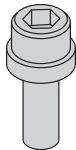
Bestellnummer / Order Number

	Bestellnr. / Catalog No.	-	W	-	R	-	C
	DM-DCTA16	-	8	-		-	0.5
KC A=45	DM-DCTA16	-	8	-		-	0.5 - KC45

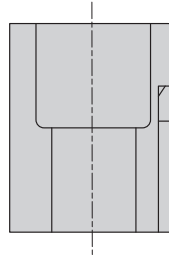




DM-FZ12



Montagezeichnung,
Auswerfbuchse
Ejection device bushing
mounting drawing



einfachere Montage durch Fase-
chamfer, easy to
mounting

Material: C45
Wärmebehandlung:HRC40-45
Befestigung:Innensechskantschraube
(M6×16/GB70.1)

Material: C45
Heat treatment:HRC40-45
Attachment:Hexagon socket head bolt(M6×16/
GB70.1)

Bestellnummer / Order Number



Bestellnr. / Catalog No.

DM-FZ12

