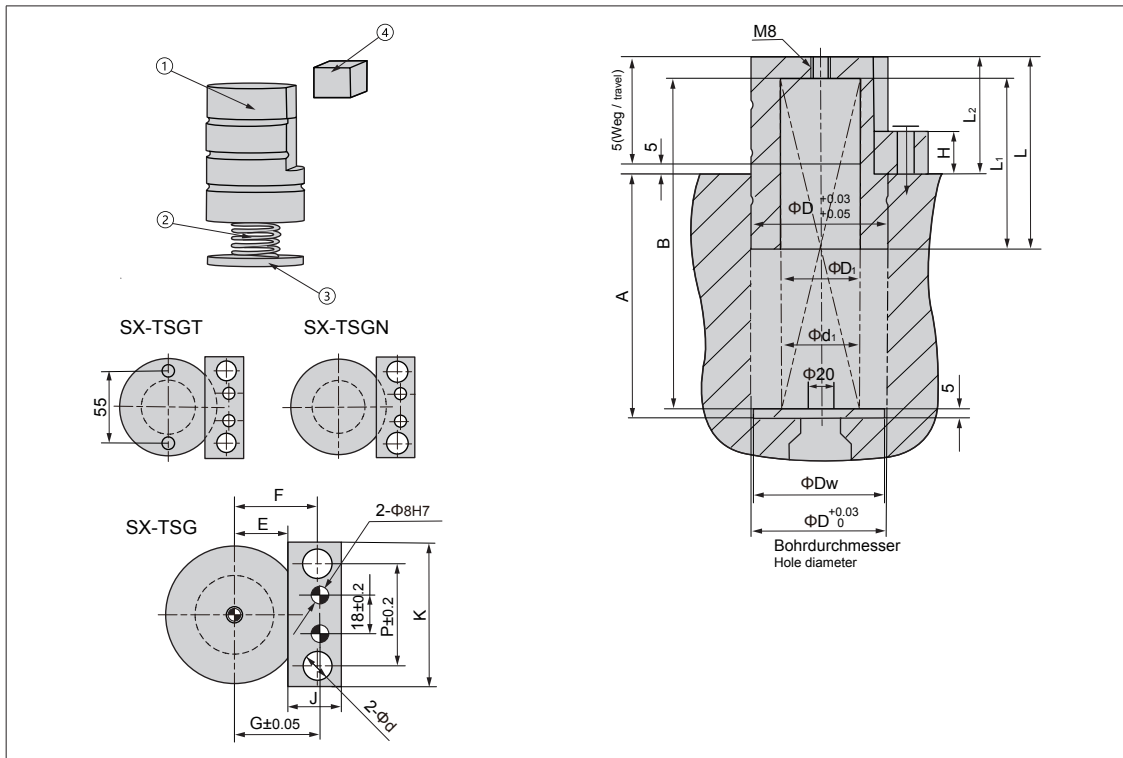



SX-TSG(N/T)


Teilenummer Part Number	Beschreibung Description	Material
1	Guide bushing	FC250
2	Spring	SWOCSC-V
3	Washer	S45C
4	Limit block	S45C

Feder Spring	D	S	d1	Ausgangslänge Free Length	Anfangszustand Initial pressure state		Endzustand Final pressure state	
					(Länge/length) mm	(Kraft/Load) N	(Länge/length) mm	(Kraft/Load) N
TF	65	50	35	175	155	219	105	767
		80	50	250	230	314	150	1569
	120	50	300	285	196	165	1764	

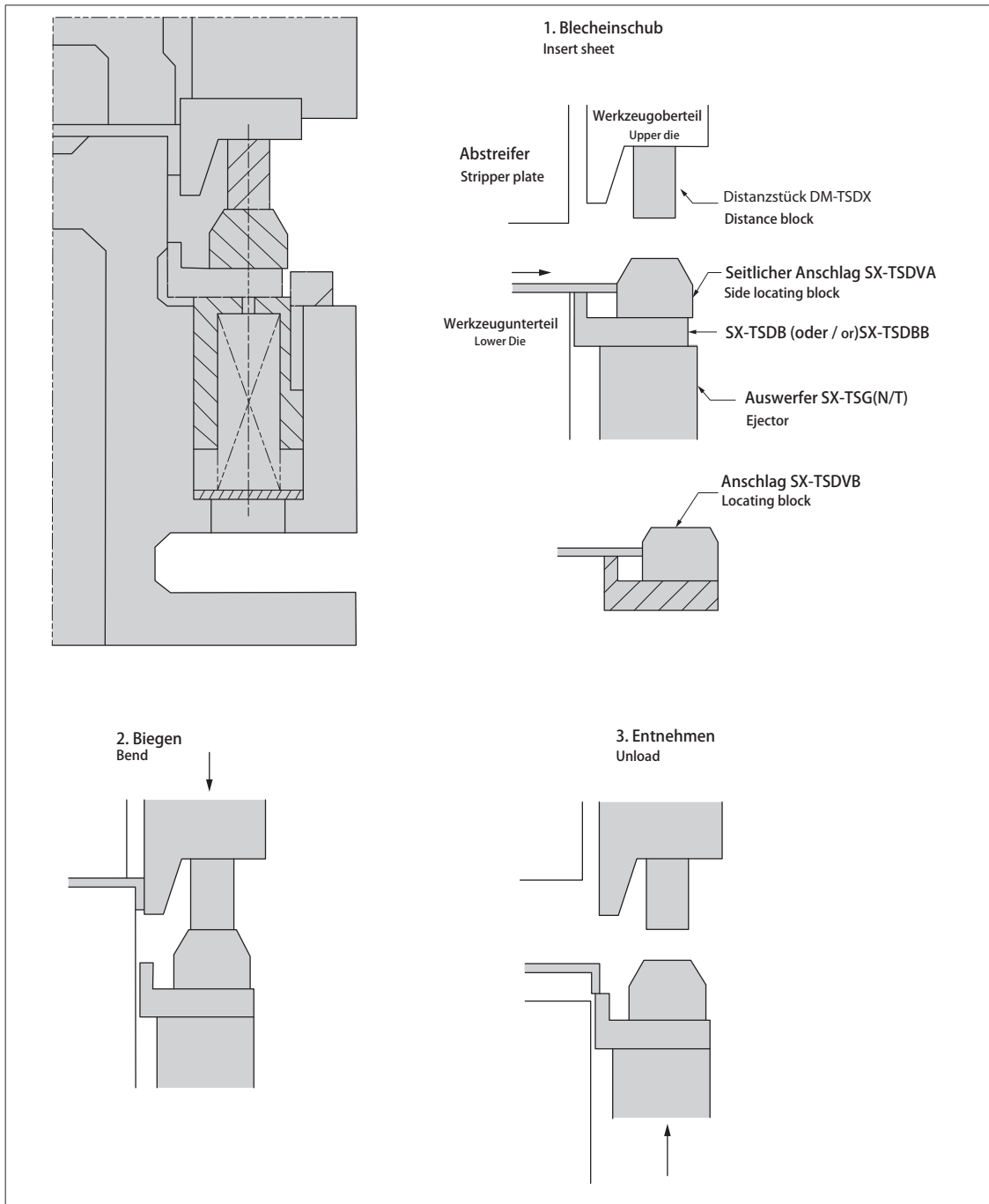
Bestell-Nr. Catalog No.		S	L	D ₁	L ₁	L ₂	A	B	E	F	G	H	K	J	d	p	Dw
Typ Type	D																
SX-TSG	65	50	90	37	80	55	115	155	25	39	40	20	68	25	13	48	63
SX-TSGN																	
SX-TSG	80	80	140	53	125	85	165	230	32	49	49	50	80	30	18	54	78
SX-TSGN																	
SX-TSGT	120	180			150	125	195	285									

Bestellnummer / Order Number


	Bestellnr. / Catalog No.	-	L
	SX-TSGT80	-	90
	SX-TSGN80	-	90
	SX-TSG80	-	90



SX-TSG(N/T)



Bestellnummer / Order Number

	Bestellnr. / Catalog No.	-	M
	SX-TSGT80	-	90
	SX-TSGN80	-	90
	SX-TSG80	-	90

