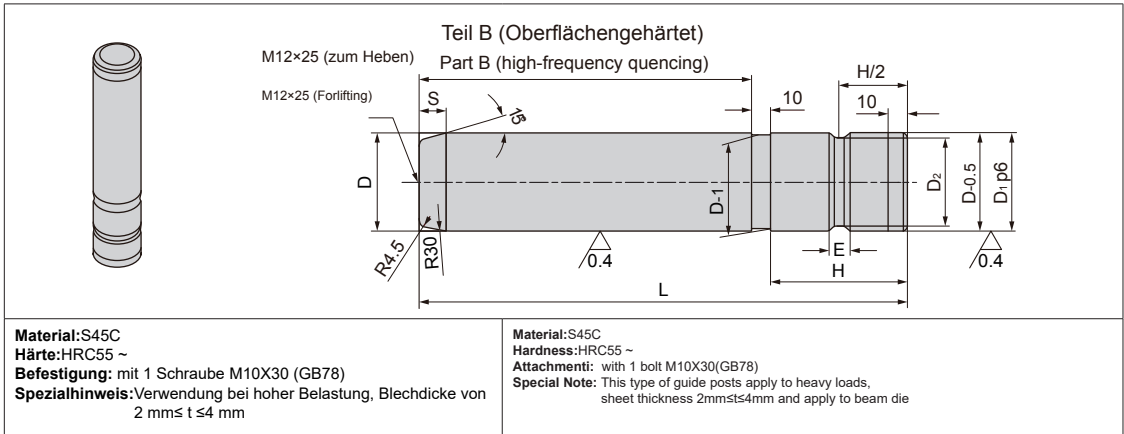




DM-ZCA



Bestell-Nr. Catalog No.		D(d9)		Bohrung Führungssäule Guide post hole H7		D ₁ (P6)		D ₂	L	H	E	S
Typ Type D												
DM-ZCA	60	60	-0.100 -0.174	+0.030 0	60	+0.051 +0.032	55	200	90	12	10	
								220				
								250				
								300				
	80	80	-0.100 -0.174	+0.035 0	80	+0.059 +0.037	75	250	120	150		
								300				
								350				
								400				
	100	100	-0.120 -0.207	+0.035 0	100	+0.059 +0.037	95	300	150			
								350				
								400				
								450				
								500				

Bestellnummer / Order Number

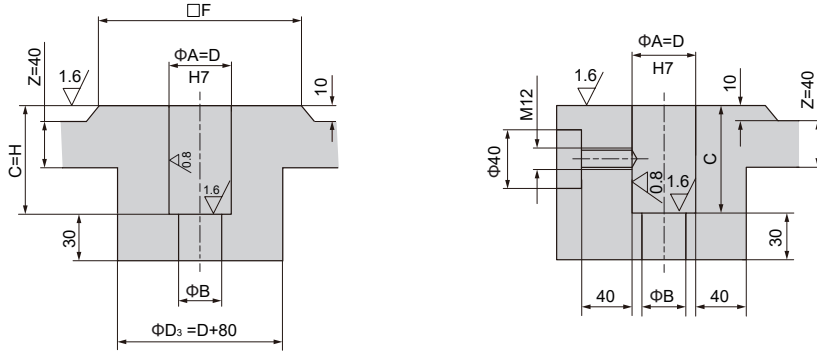
Bestellnr. / Catalog No. - L - a/b
DM-ZCA60 - 200 - a





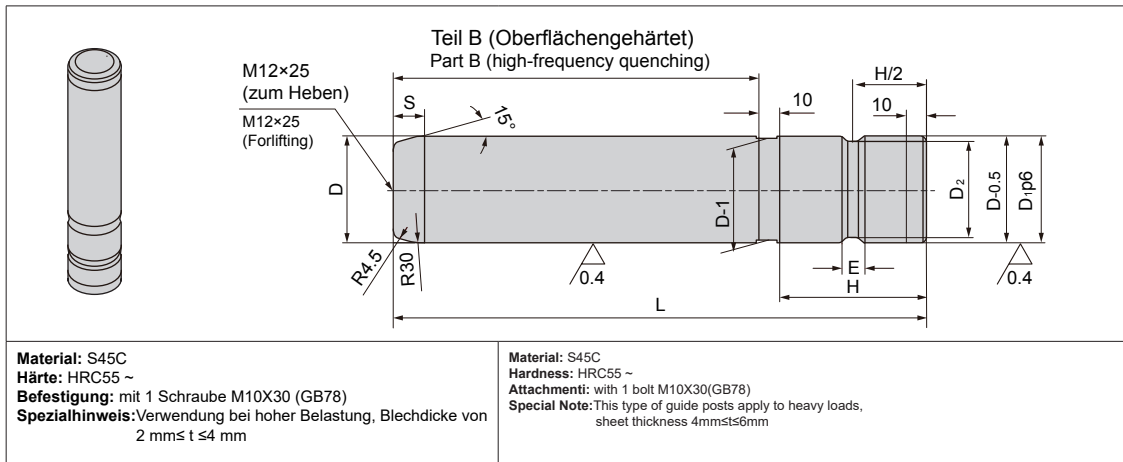
DM-ZCA

Montagebeispiele
Installation example




Bestell-Nr. Catalog No.		D(d9)		Bohrung Führungssäule Guide post hole H7		D ₁ (P6)		D ₂	L	H	E	S	B	F
Typ Type D														
DM-ZCA	60	60	-0.100 -0.174	+0.030 0	60	+0.051 +0.032	55	200	90	12	10	D-15		170
								220						
								250						
								300						
	80	80	-0.100 -0.174	+0.035 0	80	+0.059 +0.037	75	250	120	150				180
								300						
								350						
								400						
	100	100	-0.120 -0.207	+0.035 0	100	+0.059 +0.037	95	300	150					200
								350						
								400						
								450						
							500							



DM-ZCT


Bestell-Nr. Catalog No.		D(C9)		Bohrung Führungssäule Guide post hole H7		D ₁ (P6)		D ₂	L	H	E	S
Typ Type D												
DM-ZCT	60	60	-0.140 -0.214	+0.030 0	60	+0.051 +0.032	55	200	90	12	10	
								220				
								250				
								300				
	80	80	-0.150 -0.224	+0.035 0	80	+0.059 +0.037	75	250	120	150		
								300				
								350				
								400				
	100	100	-0.170 -0.257	+0.035 0	100	+0.059 +0.037	95	300	150			
								350				
								400				
								450				
							500					

Bestellnummer / Order Number

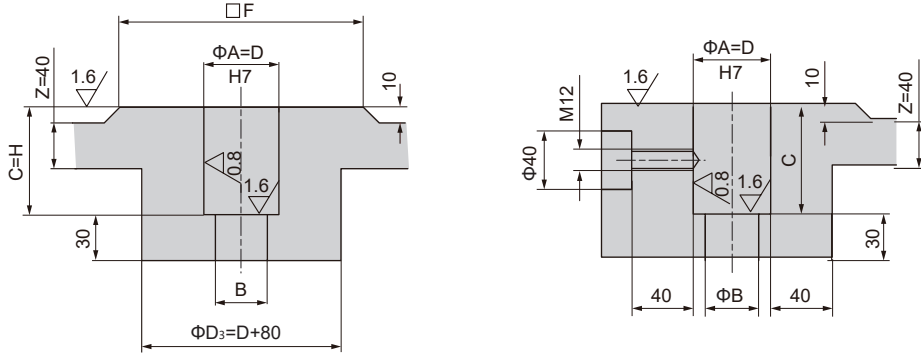
	Bestellnr. / Catalog No.	-	L	-	a/b
	DM-ZCT60	-	200	-	a





DM-ZCT

Montagebeispiele
Installation example



Bestell-Nr. Catalog No.		D(C9)		Bohrung Führungssäule Guide post hole H7	D ₁ (P6)		D ₂	L	H	E	S	B	F	
Typ Type D														
DM-ZCT	60	60	-0.140	+0.030 0	60	+0.051 +0.032	55	200	90	12	10	D-15	170	
			-0.214					220						
								250						
								300						
	80	80	-0.150			80	+0.051 +0.032	75	250	120	12	10	D-15	180
			-0.224		300									
					350									
					400									
	100	100	-0.170			100	+0.059 +0.037	95	300	150	12	10	D-15	200
			-0.257		350									
					400									
					450									
							500							

