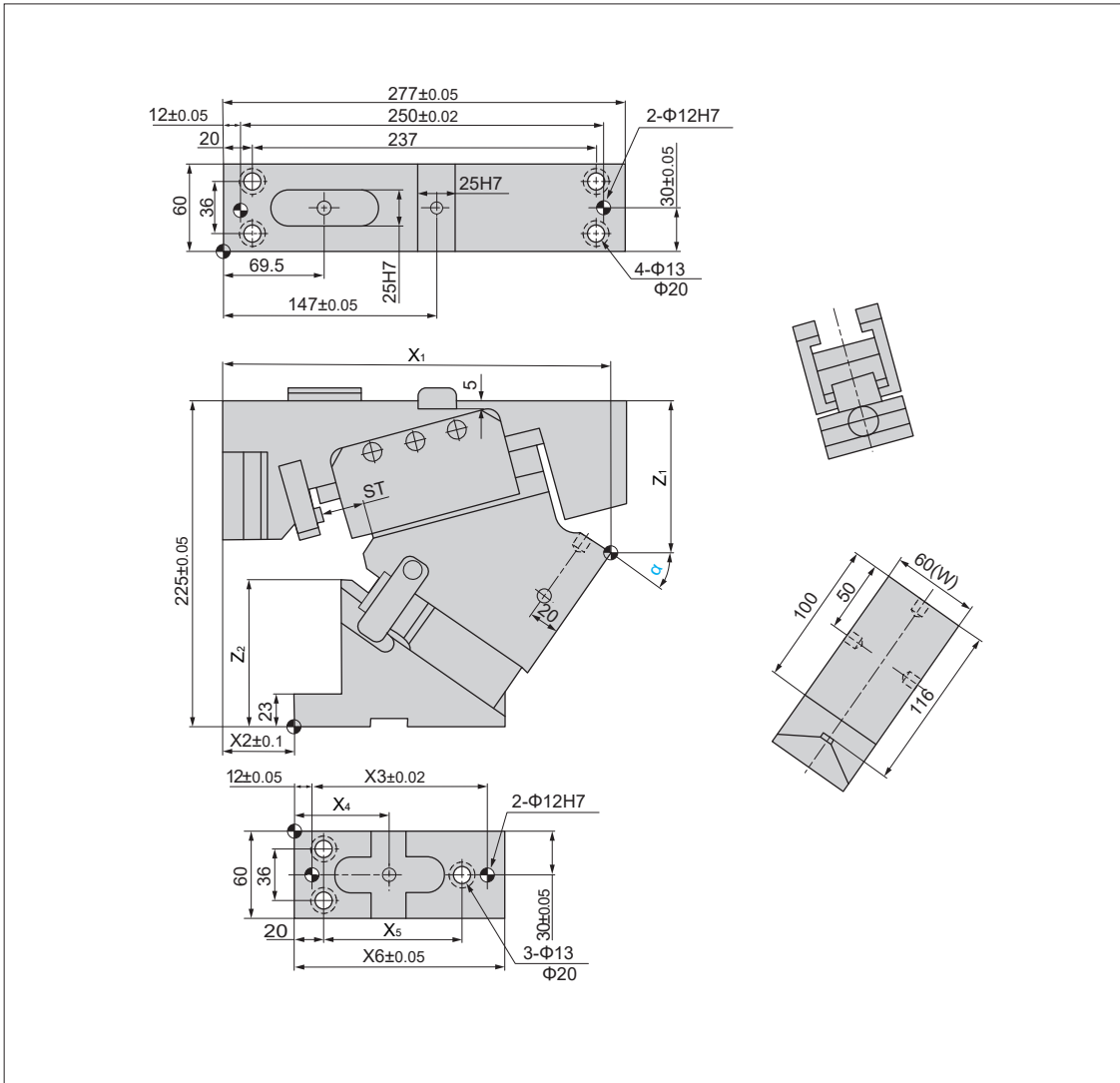
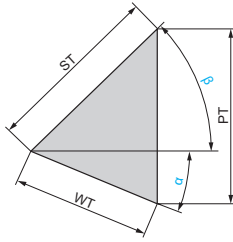


KACVG60

**Tabelle Schieber
Table of Cam Structure**

| Bestellnr. / Catalog No. | W | X ₁ | X ₂ | X ₃ | X ₄ | X ₅ | X ₆ | Z ₁ | Z ₂ | Gewicht (kg) / Weight (kg) |
|-----------------------------|----|----------------|----------------|----------------|----------------|----------------|----------------|----------------|----------------|-------------------------------|
| KACVG60-00 | 60 | 267.0 | 100.0 | 141 | 75 | 115 | 165 | 69.0 | 38.0 | 20.8 |
| KACVG60-05 | 60 | 274.4 | 95.0 | 141 | 75 | 115 | 165 | 73.1 | 46.5 | 20.5 |
| KACVG60-10 | 60 | 272.0 | 86.0 | 141 | 75 | 115 | 165 | 77.6 | 55.0 | 19.7 |
| KACVG60-15 | 60 | 273.7 | 77.0 | 141 | 75 | 115 | 165 | 82.4 | 62.0 | 19.3 |
| KACVG60-20 | 60 | 273.5 | 69.0 | 141 | 75 | 115 | 165 | 88.7 | 71.0 | 18.9 |
| KACVG60-25 | 60 | 271.3 | 56.0 | 141 | 75 | 115 | 165 | 93.5 | 82.0 | 18.8 |
| KACVG60-30 | 60 | 270.0 | 48.0 | 141 | 75 | 115 | 165 | 98.6 | 96.5 | 18.4 |
| KACVG60-35 | 60 | 266.8 | 49.0 | 121 | 65 | 95 | 145 | 105.2 | 101.0 | 17.7 |
| KACVG60-40 | 60 | 262.5 | 39.0 | 121 | 65 | 95 | 145 | 112.1 | 108.0 | 17.5 |
| KACVG60-45 | 60 | 256.1 | 31.0 | 121 | 65 | 95 | 145 | 126.5 | 110.0 | 17.6 |
| KACVG60-50 | 60 | 249.8 | 23.0 | 106 | 58 | 80 | 130 | 134.8 | 113.0 | 17.5 |
| KACVG60-55 | 60 | 247.4 | 16.0 | 106 | 58 | 80 | 130 | 141.9 | 112.0 | 17.6 |
| KACVG60-60 | 60 | 238.0 | 5.0 | 106 | 58 | 80 | 130 | 149.4 | 120.0 | 17.9 |
| KACVG60-65 | 60 | 235.0 | -5.0 | 106 | 58 | 80 | 130 | 163.7 | 120.0 | 18.6 |
| KACVG60-70 | 60 | 230.0 | -15.0 | 106 | 58 | 80 | 130 | 178.0 | 120.0 | 18.8 |
| KACVG60-75 | 60 | 222.0 | -25.0 | 106 | 58 | 80 | 130 | 187.7 | 135.0 | 19.7 |

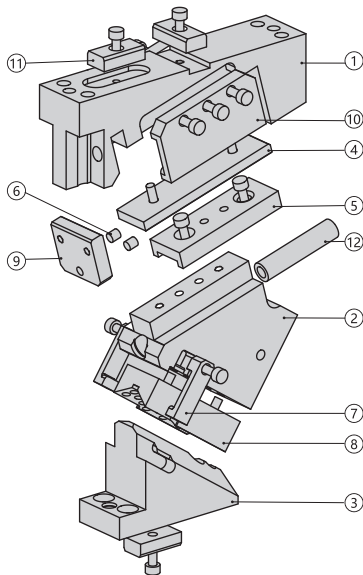




| Bestellnr. / Catalog No. | α | β | WT | ST | PT | Arbeitskraft (kN) / Working Force KN |
|-----------------------------|----------|---------|------|------|------|---|
| KACVG60-00 | 0 | 50 | 19.3 | 30 | 23.0 | 75 |
| KACVG60-05 | 5 | 45 | 21.3 | | 23.1 | |
| KACVG60-10 | 10 | 40 | 23.3 | | 23.3 | |
| KACVG60-15 | 15 | 35 | 25.4 | | 23.8 | |
| KACVG60-20 | 20 | 30 | 27.6 | | 24.5 | |
| KACVG60-25 | 25 | 25 | 30.0 | | 25.4 | |
| KACVG60-30 | 30 | 20 | 32.6 | | 26.5 | |
| KACVG60-35 | 35 | 15 | 35.4 | | 28.1 | |
| KACVG60-40 | 40 | 10 | 38.6 | | 30.0 | |
| KACVG60-45 | 45 | 5 | 42.3 | | 32.5 | |
| KACVG60-50 | 50 | 0 | 46.7 | | 35.8 | |
| KACVG60-55 | 55 | | 52.3 | | 42.8 | |
| KACVG60-60 | 60 | | 60.0 | | 52.0 | |
| KACVG60-65 | 65 | | 71.0 | 64.3 | | |
| KACVG60-70 | 70 | | 58.5 | 54.9 | | |
| KACVG60-75 | 75 | | 77.3 | 74.6 | | |
| | | | | 20 | | |

**Übersicht Schieberkraft / Rückzugskraft
Table of Cam Force**


| Typ / Type | α | Federkraft (N) / Spring Force (N) | | Gasdruckfeder / Gas Spring |
|---------------|-----------|-----------------------------------|--------------------------|-------------------------------|
| | | Anfangskraft / Initial Load | Endkraft / Final Load | |
| GK | 00° ~ 65° | 900 | 1200 | X170-038-TD (Kaller) |
| | 70° ~ 75° | | 1300 | X170-025-TD (Kaller) |
| GD | 00° ~ 65° | 890 | 1140 | U0175.038 (Dadco) |
| | 70° ~ 75° | | | U0175.025 (Dadco) |

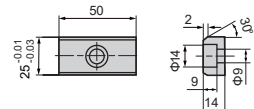


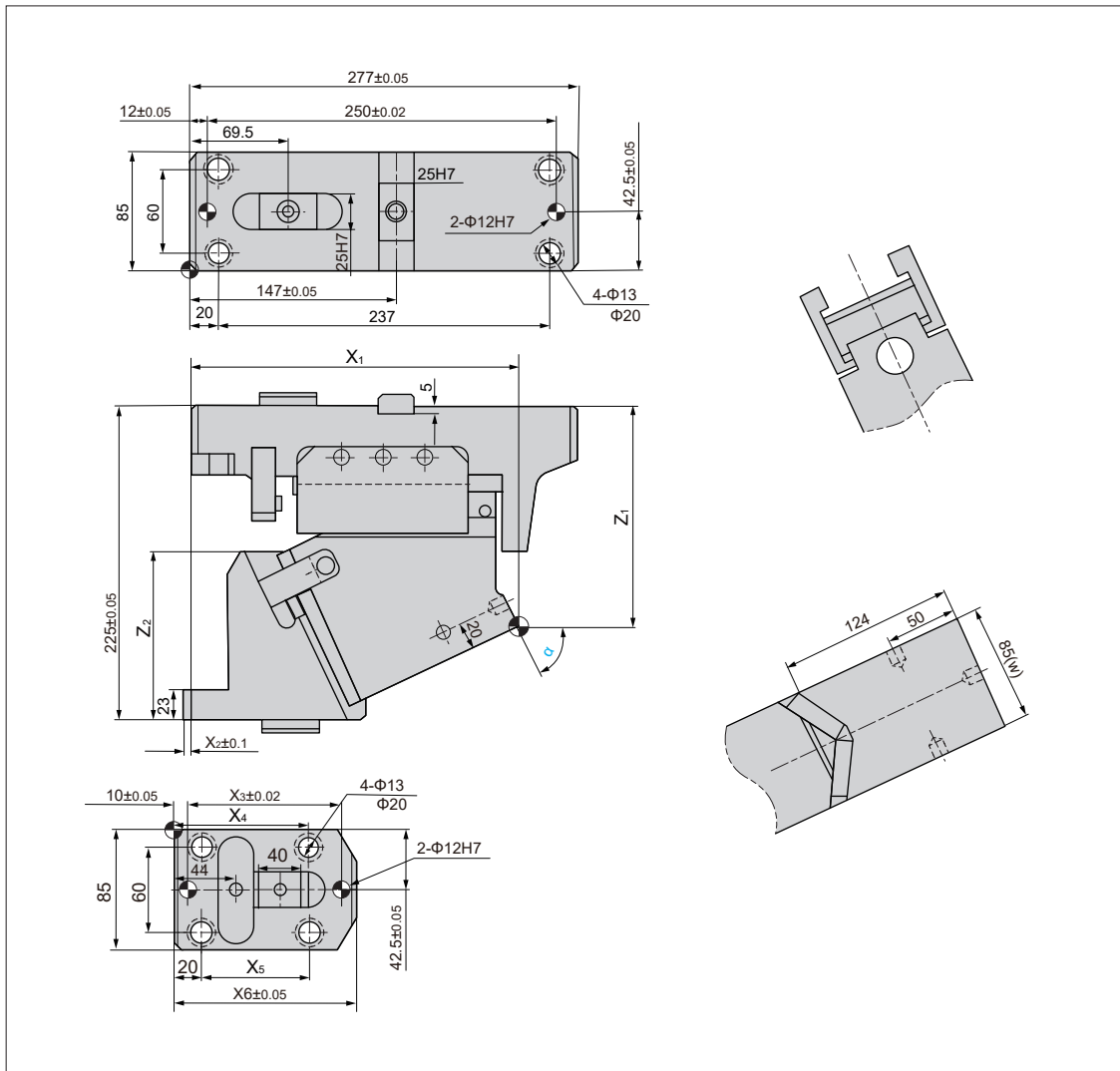
| Nr. / No. | Beschreibung / Description | Anzahl / Qty | Material und Anmerkung / Material and Remark |
|--------------|--|-----------------|---|
| ① | Aufnahme / Cam Holder | 1 | QT550 |
| ② | Schieber / Cam Slider | 1 | QT550 |
| ③ | Treiber / Cam Driver | 1 | QT550 |
| ④ | Gleitplatte / Guide Block | 1 | Bronze+Festschmierstoff / graphite plugs |
| ⑤ | Gleitstück / U Cam Slide Guide | 1 | St45 |
| ⑥ | Urethan-Dämpfer / Urethane Stopper | 2 | Urethan |
| ⑦ | Zwangsrückführung / Positive Return Follower | 2 | St45 |
| ⑧ | V-Prisma / V Cam Slide Guide | 1 | Bronze+Festschmierstoff / graphite plugs |
| ⑨ | Prallplatte / Baffle | 1 | St45 |
| ⑩ | Führungsleiste / Side Plate | 2 | St45 |
| ⑪ | Passfeder / Key | 3 | St45 |
| ⑫ | Gasdruckfeder / Gas Spring | 1 | Typ / Type |

| Options-Code / Option Code | Beschreibung / Envelope |
|-------------------------------|--------------------------|
| K | mit Passfeder / with key |

Bestellnummer / Order Number

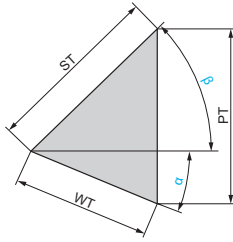
| | | | | |
|---|--------------------------|-----|--------------|------------|
|  | Bestellnr. / Catalog No. | (W) | (α) | Typ / Type |
| | KACVG | 60 | 30 | GK |

 Ausführung Passfeder /
Key specification


KACVG85

**Tabelle Schieber
Table of Cam Structure**

| Bestellnr. / Catalog No. | W | X ₁ | X ₂ | X ₃ | X ₄ | X ₅ | X ₆ | Z ₁ | Z ₂ | Gewicht (kg) / Weight (kg) |
|-----------------------------|----|----------------|----------------|----------------|----------------|----------------|----------------|----------------|----------------|-------------------------------|
| KACVG85-00 | 85 | 267.0 | 115 | 130 | 113.5 | 97 | 150 | 63.0 | 45.0 | 28.2 |
| KACVG85-05 | 85 | 272.4 | 110 | 130 | 113.5 | 97 | 150 | 67.2 | 51.9 | 27.5 |
| KACVG85-10 | 85 | 275.1 | 101 | 130 | 113.5 | 97 | 150 | 71.8 | 59.7 | 26.6 |
| KACVG85-15 | 85 | 278.0 | 92 | 130 | 113.5 | 97 | 150 | 79.7 | 65.7 | 26.3 |
| KACVG85-20 | 85 | 273.1 | 69 | 130 | 113.5 | 97 | 150 | 88.4 | 71.0 | 26.1 |
| KACVG85-25 | 85 | 271.3 | 60 | 130 | 113.5 | 97 | 150 | 94.2 | 85.8 | 26.1 |
| KACVG85-30 | 85 | 269.6 | 52 | 130 | 113.5 | 97 | 150 | 100.3 | 93.0 | 25.3 |
| KACVG85-35 | 85 | 266.0 | 47 | 130 | 113.5 | 97 | 150 | 103.5 | 104.0 | 24.4 |
| KACVG85-40 | 85 | 262.4 | 37 | 120 | 106.5 | 87 | 140 | 110.5 | 110.0 | 24.0 |
| KACVG85-45 | 85 | 256.8 | 23 | 120 | 106.5 | 87 | 140 | 118.0 | 115.0 | 24.7 |
| KACVG85-50 | 85 | 249.2 | 20 | 110 | 96.5 | 77 | 130 | 133.5 | 115.0 | 24.7 |
| KACVG85-55 | 85 | 250.7 | 19 | 110 | 96.5 | 77 | 130 | 140.8 | 110.0 | 24.6 |
| KACVG85-60 | 85 | 240.1 | 4 | 110 | 96.5 | 77 | 130 | 149.4 | 115.0 | 25.4 |
| KACVG85-65 | 85 | 235.0 | -5 | 110 | 96.5 | 77 | 130 | 159.1 | 120.0 | 25.7 |
| KACVG85-70 | 85 | 230.0 | -15 | 110 | 96.5 | 80 | 130 | 168.9 | 120.0 | 26.2 |
| KACVG85-75 | 85 | 228.0 | -25 | 110 | 96.5 | 90 | 130 | 187.0 | 135.0 | 28.3 |

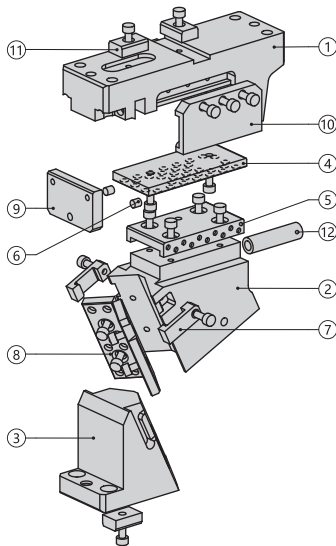




| Bestellnr. / Catalog No. | α | β | WT | ST | PT | Arbeitskraft (kN) / Working Force KN |
|-----------------------------|----------|---------|------|------|------|---|
| KACVG85-00 | 0 | 50 | 19.3 | 30 | 23.0 | 100 |
| KACVG85-05 | 5 | 45 | 21.3 | | 23.1 | |
| KACVG85-10 | 10 | 40 | 23.3 | | 23.3 | |
| KACVG85-15 | 15 | 35 | 25.4 | | 23.8 | |
| KACVG85-20 | 20 | 30 | 27.6 | | 24.5 | |
| KACVG85-25 | 25 | 25 | 30.0 | | 25.4 | |
| KACVG85-30 | 30 | 20 | 32.6 | | 26.5 | |
| KACVG85-35 | 35 | 15 | 35.4 | | 28.1 | |
| KACVG85-40 | 40 | 10 | 38.6 | | 30.0 | |
| KACVG85-45 | 45 | 5 | 42.3 | | 32.5 | |
| KACVG85-50 | 50 | 0 | 46.7 | | 35.8 | |
| KACVG85-55 | 55 | | 52.3 | | 42.8 | |
| KACVG85-60 | 60 | | 60.0 | | 52.0 | |
| KACVG85-65 | 65 | | 71.0 | | 64.3 | |
| KACVG85-70 | 70 | | 58.5 | 55.0 | | |
| KACVG85-75 | 75 | | 77.3 | 74.6 | | |
| | | | | 20 | | |

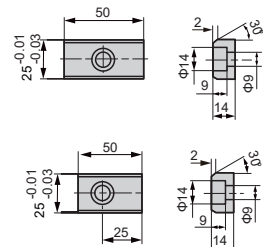
**Übersicht Schieberkraft / Rückzugskraft
Table of Cam Force**


| Typ / Type | α | Federkraft (N) / Spring Force (N) | | Gasdruckfeder / Gas Spring |
|---------------|-----------|-----------------------------------|--------------------------|-------------------------------|
| | | Anfangskraft / Initial Load | Endkraft / Final Load | |
| GK | 00° ~ 65° | 2000 | 3090 | X320-038-TD (Kaller) |
| | 70° ~ 75° | | 3080 | X320-025-TD (Kaller) |
| GD | 00° ~ 65° | 2010 | 2720 | U 0325038 (Dadco) |
| | 70° ~ 75° | | | U 0325025 (Dadco) |



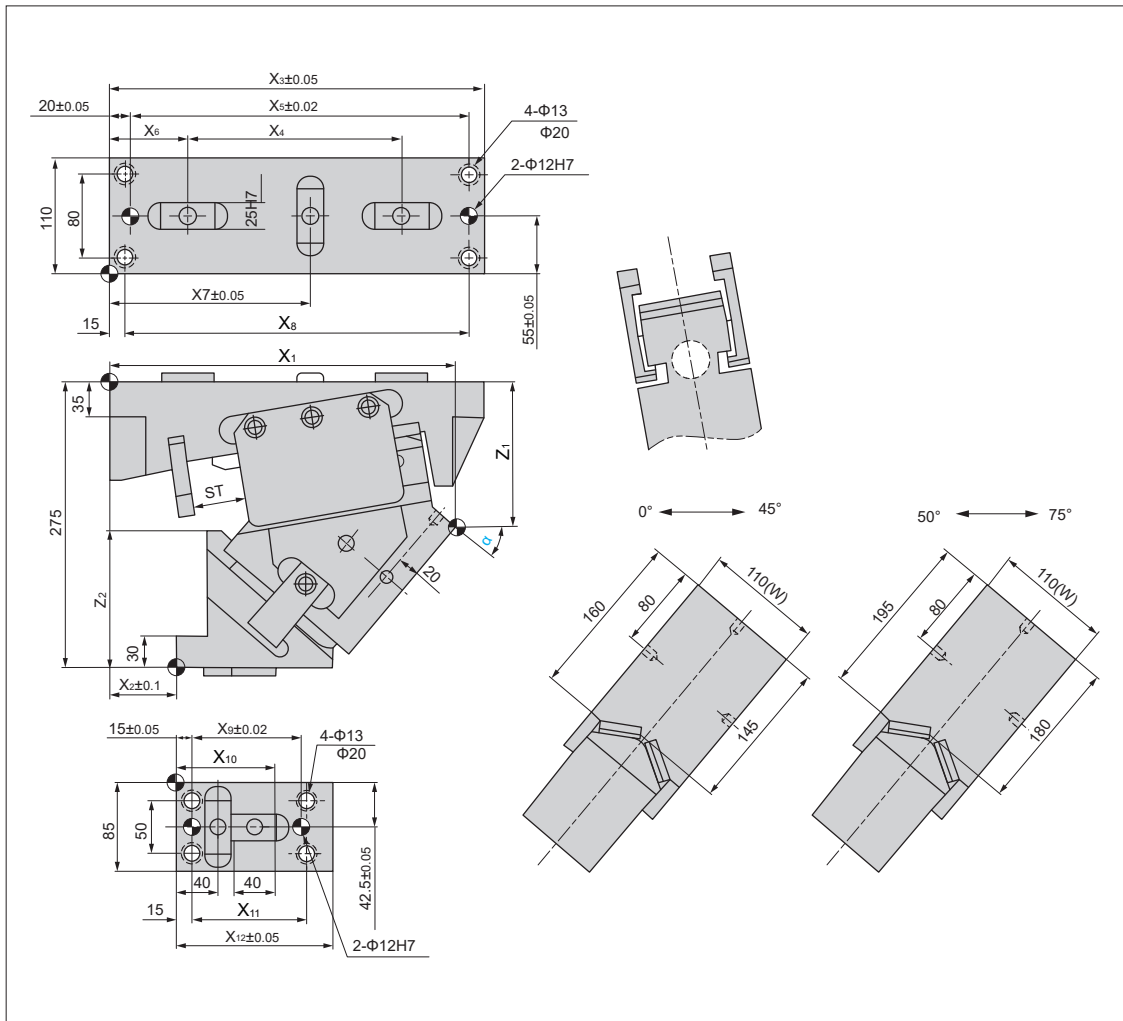
| Nr. / No. | Beschreibung / Description | Anzahl / Qty | Material und Anmerkung / Material and Remark |
|--------------|--|-----------------|---|
| ① | Aufnahme / Cam Holder | 1 | QT550 |
| ② | Schieber / Cam Slider | 1 | QT550 |
| ③ | Treiber / Cam Driver | 1 | QT550 |
| ④ | Gleitplatte / Guide Block | 1 | Bronze+Festschmierstoff / graphite plugs |
| ⑤ | Gleitstück / U Cam Slide Guide | 1 | 42CrMo |
| ⑥ | Urethan-Dämpfer / Urethane Stopper | 2 | Urethan |
| ⑦ | Zwangsrückführung / Positive Return Follower | 2 | St45 |
| ⑧ | V-Prisma / Cam Slide Guide | 2 | Bronze+Festschmierstoff / graphite plugs |
| ⑨ | Stoppblock / Baffle | 1 | St45 |
| ⑩ | Seitenplatte / Side Rate | 2 | Bronze |
| ⑪ | Passfeder / Key | 3 | St45 |
| ⑫ | Gasdruckfeder / Gas Spring | 1 | Typ / Type |

| Options-Code / Option Code | Beschreibung / Envelope |
|-------------------------------|--------------------------|
| K | mit Passfeder / with key |

**Ausführung Passfeder /
Key specification**

Bestellnummer / Order Number

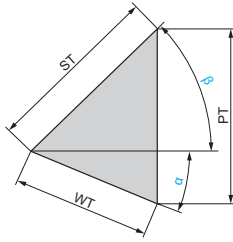
| | | | | |
|---|--------------------------|-----|--------------|------------|
|  | Bestellnr. / Catalog No. | (W) | (α) | Typ / Type |
| | KACVG | 85 | 30 | GK |



KACVG110

**Tabelle Schieber
Table of Cam Structure**

| Bestellnr. / Catalog No. | W | X ₁ | X ₂ | X ₃ | X ₄ | X ₅ | X ₆ | X ₇ | X ₈ | X ₉ | X ₁₀ | X ₁₁ | X ₁₂ | Z ₁ | Z ₂ | Gewicht (kg) / Weight (kg) |
|-----------------------------|-----|----------------|----------------|----------------|----------------|----------------|----------------|----------------|----------------|----------------|-----------------|-----------------|-----------------|----------------|----------------|-------------------------------|
| KACVG110-00 | 110 | 318.0 | 138 | 330 | 185 | 295 | 70 | 137.5 | 300 | 125 | 109 | 130 | 165 | 70.0 | 55.0 | 51.5 |
| KACVG110-05 | 110 | 324.5 | 130 | 330 | 185 | 295 | 70 | 137.5 | 300 | 125 | 109 | 130 | 165 | 79.3 | 59.6 | 50.4 |
| KACVG110-10 | 110 | 330.2 | 121 | 360 | 185 | 325 | 70 | 137.5 | 330 | 125 | 109 | 130 | 165 | 84.1 | 70.2 | 50.2 |
| KACVG110-15 | 110 | 336.2 | 114 | 360 | 205 | 325 | 75 | 192.5 | 330 | 125 | 109 | 130 | 165 | 94.5 | 76.8 | 51.3 |
| KACVG110-20 | 110 | 339.3 | 105 | 360 | 205 | 325 | 75 | 192.5 | 330 | 125 | 109 | 130 | 165 | 100.4 | 89.3 | 49.7 |
| KACVG110-25 | 110 | 340.5 | 94 | 360 | 205 | 325 | 75 | 192.5 | 330 | 125 | 109 | 130 | 165 | 109.7 | 100.8 | 49.0 |
| KACVG110-30 | 110 | 348.4 | 70 | 360 | 205 | 325 | 75 | 192.5 | 330 | 140 | 115 | 145 | 180 | 120.5 | 124.5 | 49.5 |
| KACVG110-35 | 110 | 343.5 | 54 | 360 | 205 | 325 | 75 | 192.5 | 330 | 140 | 115 | 145 | 180 | 127.8 | 125.0 | 48.6 |
| KACVG110-40 | 110 | 332.6 | 64 | 360 | 205 | 325 | 75 | 192.5 | 330 | 105 | 95 | 110 | 150 | 139.4 | 130.0 | 46.3 |
| KACVG110-45 | 110 | 322.5 | 45 | 360 | 205 | 325 | 75 | 192.5 | 330 | 105 | 95 | 110 | 150 | 149.4 | 140.0 | 46.6 |
| KACVG110-50 | 110 | 309.5 | 25 | 345 | 185 | 310 | 93 | 180.5 | 315 | 105 | 95 | 110 | 150 | 156.2 | 150.0 | 45.4 |
| KACVG110-55 | 110 | 311.1 | 18 | 345 | 185 | 310 | 93 | 180.5 | 315 | 105 | 95 | 110 | 150 | 169.8 | 155.0 | 46.5 |
| KACVG110-60 | 110 | 327.9 | 7 | 345 | 185 | 310 | 93 | 180.5 | 315 | 105 | 95 | 110 | 150 | 168.9 | 165.0 | 47.9 |
| KACVG110-65 | 110 | 317.2 | -10 | 345 | 185 | 310 | 93 | 180.5 | 315 | 105 | 95 | 110 | 150 | 185.0 | 165.0 | 48.9 |
| KACVG110-70 | 110 | 313.1 | -20 | 345 | 185 | 310 | 93 | 180.5 | 315 | 105 | 95 | 110 | 150 | 205.0 | 165.0 | 50.8 |
| KACVG110-75 | 110 | 306.8 | -30 | 345 | 185 | 310 | 93 | 180.5 | 315 | 105 | 95 | 110 | 150 | 225.0 | 165.0 | 52.6 |

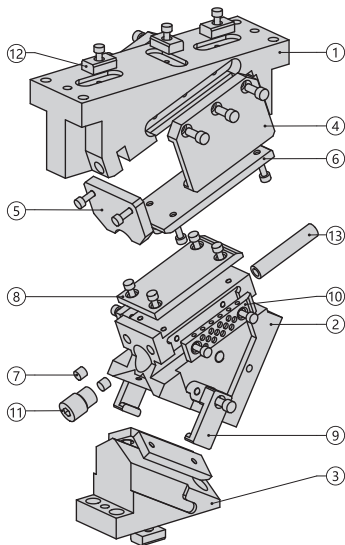




| Bestellnr. / Catalog No. | α | β | WT | ST | PT | Arbeitskraft (kN) / Working Force KN |
|-----------------------------|----------|---------|-------|----|-------|---|
| KACVG110-00 | 0 | 50 | 32.1 | 50 | 38.3 | 150 |
| KACVG110-05 | 5 | 45 | 35.5 | | 38.4 | |
| KACVG110-20 | 10 | 40 | 38.9 | | 38.9 | |
| KACVG 110-15 | 15 | 35 | 42.4 | | 39.7 | |
| KACVG 110-20 | 20 | 30 | 46.1 | | 40.8 | |
| KACVG110-25 | 25 | 25 | 50.0 | | 42.3 | |
| KACVG110-30 | 30 | 20 | 54.3 | | 44.2 | |
| KACVG110-35 | 35 | 15 | 59.0 | | 46.8 | |
| KACVG110-40 | 40 | 10 | 64.3 | | 50.0 | |
| KACVG110-45 | 45 | 5 | 70.4 | | 54.2 | |
| KACVG110-50 | 50 | 0 | 77.8 | | 59.6 | |
| KACVG110-55 | 55 | | 87.2 | | 71.4 | |
| KACVG110-60 | 60 | | 100.0 | | 86.6 | |
| KACVG110-65 | 65 | | 94.6 | | 85.8 | |
| KACVG110-70 | 70 | | 81.9 | 40 | 76.9 | |
| KACVG110-75 | 75 | | 108.2 | 28 | 104.5 | |

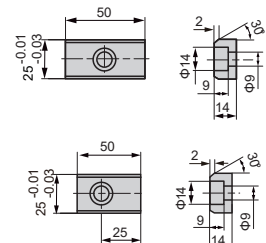
**Übersicht Schieberkraft / Rückzugskraft
Table of Cam Force**


| Typ / Type | α | Federkraft (N) / Spring Force (N) | | Gasdruckfeder / Gas Spring |
|---------------|-----------|-----------------------------------|--------------------------|-------------------------------|
| | | Anfangskraft / Initial Load | Endkraft / Final Load | |
| GK | 00° ~ 60° | 2000 | 3020 | X320-063-TD (Kaller) |
| | 65° | | 3090 | X320-050-TD (Kaller) |
| | 70° ~ 75° | | | X320-038-TD (Kaller) |
| GD | 00° ~ 60° | 2010 | 2720 | U 0325063 (Dadco) |
| | 65° | | | U 0325050 (Dadco) |
| | 70° ~ 75° | | | U 0325038 (Dadco) |



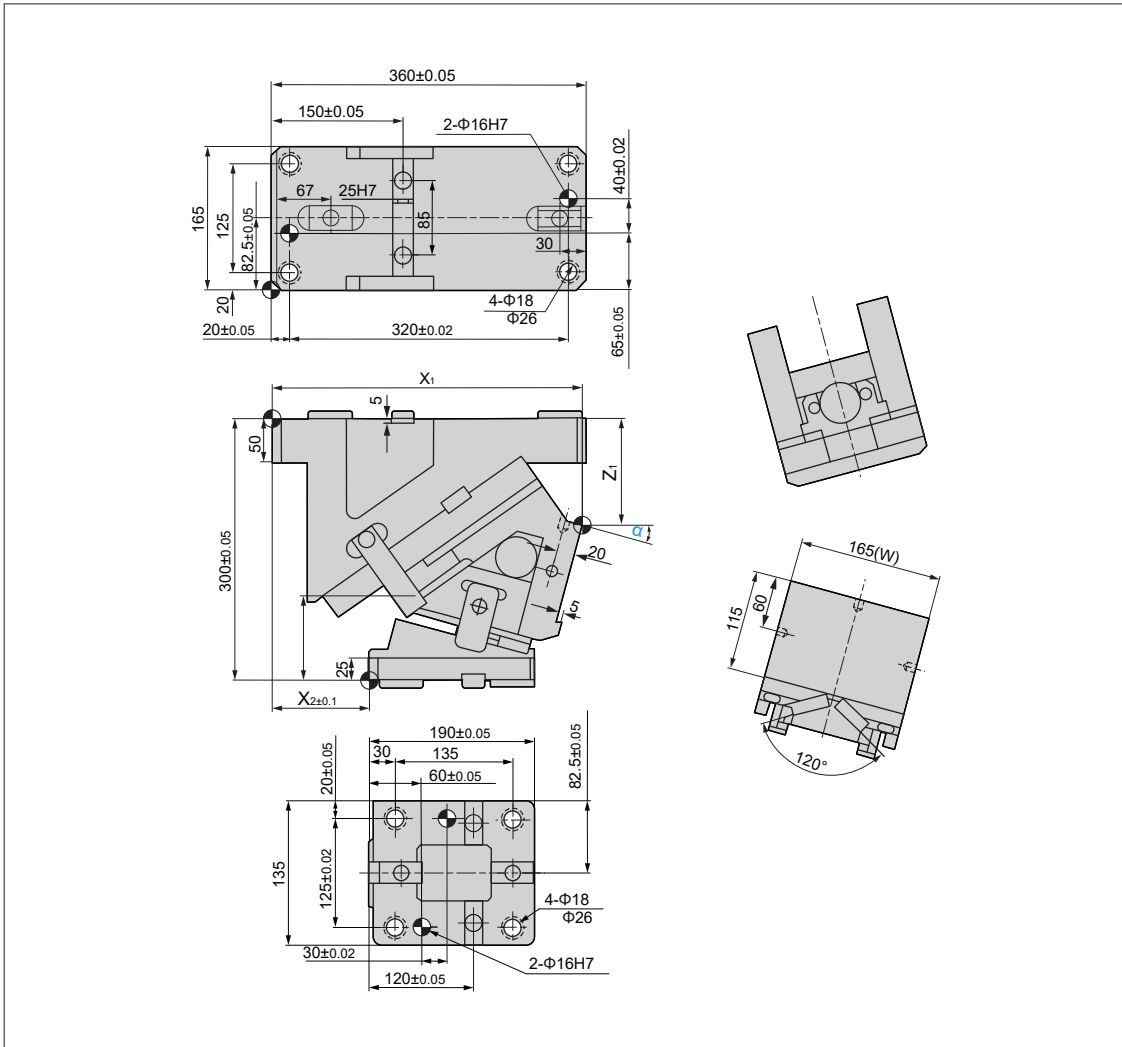
| Nr. / No. | Beschreibung / Description | Anzahl / Qty | Material und Anmerkung / Material and Remark |
|--------------|--|-----------------|---|
| ① | Aufnahme / Cam Holder | 1 | QT550 |
| ② | Schieber / Cam Slider | 1 | QT550 |
| ③ | Treiber / Cam Driver | 1 | QT550 |
| ④ | Führungsleiste / Side Plate | 2 | Bronze |
| ⑤ | Federplatte / Spring Plate | 1 | St45 |
| ⑥ | Gleitplatte / Guide Block | 1 | 42CrMo |
| ⑦ | Urethan-Dämpfer / Urethane Stopper | 2 | Urethan |
| ⑧ | Gleitplatte / Guide Block | 1 | Bronze+Festschmierstoff / graphite plugs |
| ⑨ | Zwangsrückführung / Positive Return Follower | 2 | St45 |
| ⑩ | Gleitplatte / Guide Block | 2 | Bronze+Festschmierstoff / graphite plugs |
| ⑪ | Schraube / Screw | 1 | St45 |
| ⑫ | Passfeder / Key | 5 | St45 |
| ⑬ | Gasdruckfeder / Gas Spring | 1 | Typ / Type |

| Options-Code / Option Code | Beschreibung / Envelope |
|-------------------------------|--------------------------|
| K | mit Passfeder / with key |

**Ausführung Passfeder /
Key specification**

Bestellnummer / Order Number

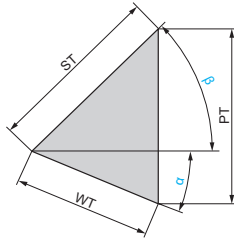
| | | | | |
|---|--------------------------|-----|--------------|------------|
|  | Bestellnr. / Catalog No. | (W) | (α) | Typ / Type |
| | KACVG | 110 | 30 | GK |



KACVG165

**Tabelle Schieber
Table of Cam Structure**

| Bestellnr. / Catalog No. | W | X ₁ | X ₂ | Z ₁ | Z ₂ | Gewicht (kg) / Weight (kg) |
|-----------------------------|-----|----------------|----------------|----------------|----------------|-------------------------------|
| KACVG 165-00 | 165 | 360.0 | 150 | 95.0 | 77.5 | 75.1 |
| KACVG 165-05 | 165 | 356.3 | 134 | 100.9 | 87.8 | 72.9 |
| KACVG 165-10 | 165 | 359.3 | 118 | 111.1 | 94.6 | 72.1 |
| KACVG165-15 | 165 | 355.8 | 111 | 122.5 | 101.0 | 71.6 |
| KACVG 165-20 | 165 | 355.7 | 93 | 130.0 | 111.8 | 70.3 |
| KACVG 165-25 | 165 | 354.2 | 80 | 138.9 | 121.6 | 69.8 |
| KACVG 165-30 | 165 | 357.3 | 70 | 148.3 | 132.8 | 69.0 |
| KACVG 165-35 | 165 | 345.8 | 64 | 158.9 | 139.9 | 69.4 |
| KACVG 165-40 | 165 | 344.3 | 58 | 170.4 | 147.7 | 69.3 |
| KACVG 165-45 | 165 | 344.9 | 40 | 182.7 | 154.5 | 70.3 |
| KACVG 165-50 | 165 | 327.3 | 10 | 195.6 | 141.2 | 69.1 |
| KACVG 165-55 | 165 | 324.4 | 0 | 210.2 | 127.8 | 68.1 |
| KACVG 165-60 | 165 | 317.6 | -7 | 215.6 | 128.9 | 68.3 |
| KACVG 165-65 | 165 | 314.2 | -15 | 231.4 | 132.5 | 70.0 |
| KACVG 165-70 | 165 | 308.1 | -25 | 245.7 | 132.9 | 71.7 |
| KACVG 165-75 | 165 | 301.1 | -35 | 260.2 | 132.3 | 73.5 |

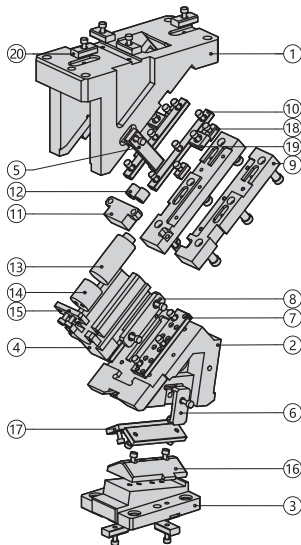




| Bestellnr. / Catalog No. | α | β | WT | ST | PT | Arbeitskraft (kN) / Working Force KN |
|-----------------------------|----------|---------|------|------|------|---|
| KACVG 165-00 | 0 | 50 | 32.1 | 50 | 38.3 | 171 |
| KACVG 165-05 | 5 | 45 | 35.5 | | 38.4 | |
| KACVG 165-10 | 10 | 40 | 38.9 | | 38.9 | |
| KACVG 165-15 | 15 | 35 | 42.4 | | 39.7 | |
| KACVG 165-20 | 20 | 30 | 46.1 | | 40.8 | |
| KACVG 165-25 | 25 | 25 | 50.0 | | 42.3 | |
| KACVG 165-30 | 30 | 20 | 54.3 | | 44.2 | |
| KACVG 165-35 | 35 | 15 | 59.0 | | 46.8 | |
| KACVG 165-40 | 40 | 10 | 64.3 | | 50.0 | |
| KACVG 165-45 | 45 | 5 | 70.4 | | 54.2 | |
| KACVG 165-50 | 50 | | 77.8 | 59.6 | | |
| KACVG 165-55 | 55 | 0 | 61.0 | 35 | 50.0 | |
| KACVG 165-60 | 60 | | 40.0 | 20 | 34.6 | |
| KACVG 165-65 | 65 | | 47.3 | 20 | 42.9 | |
| KACVG 165-70 | 70 | | 58.5 | 15 | 55.0 | |
| KACVG 165-75 | 75 | | 58.0 | 15 | 56.0 | |

**Übersicht Schieberkraft / Rückzugskraft
Table of Cam Force**


| Typ / Type | α | Federkraft (N) / Spring Force (N) | | Gasdruckfeder / Gas Spring |
|---------------|-----------|-----------------------------------|--------------------------|-------------------------------|
| | | Anfangskraft / Initial Load | Endkraft / Final Load | |
| GK | 00° ~ 50° | 4700 | 6600 | X750-063-TD (Kaller) |
| | 55° | | | X750-050-TD (Kaller) |
| | 60° ~ 75° | | | X750-038-TD (Kaller) |
| GD | 00° ~ 50° | 4700 | 6150 | U 0800063 (Dadco) |
| | 55° | | | U 0800050 (Dadco) |
| | 60° ~ 75° | | | U 0800038 (Dadco) |

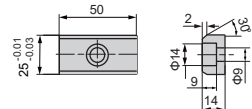


| Nr. / No. | Beschreibung / Description | Anzahl / Qty | Material und Anmerkung / Material and Remark |
|--------------|--|-----------------|---|
| ① | Aufnahme / Cam Holder | 1 | QT550 |
| ② | Schieber / Cam Slider | 1 | QT550 |
| ③ | Treiber / Cam Driver | 1 | QT550 |
| ④ | Federführungsblock / Suspension Arm | 1 | St45 |
| ⑤ | Sicherungsplatte / Safety Plate | 2 | St45 |
| ⑥ | Zwangsrückführung / Positive Return Follower | 2 | St45 |
| ⑦ | Gleitplatte / Copper Guide | 2 | Bronze+Festschmierstoff / graphite plugs |
| ⑧ | Gleitplatte / Copper Guide | 2 | Bronze+Festschmierstoff / graphite plugs |
| ⑨ | Gleitplatte / Guide Block | 2 | 42CrMo |
| ⑩ | Gleitplatte / Copper Guide | 2 | Bronze+Festschmierstoff / graphite plugs |
| ⑪ | Stopblock / Stopping Block | 1 | St45 |
| ⑫ | Urethan-Dämpfer / Urethane Stopper | 2 | Urethan |
| ⑬ | Gasdruckfeder / Gas Spring | 1 | Typ / Type |
| ⑭ | Federblock / Spring Block | 1 | St45 |
| ⑮ | Federplatte / Spring Plate | 1 | St45 |
| ⑯ | V-Prisma / V Cam Slide Guide | 1 | 42CrMo |
| ⑰ | Gleitplatte / Copper Guide | 2 | Bronze+Festschmierstoff / graphite plugs |
| ⑱ | Passfeder / KEY | 2 | St45 |
| ⑲ | Passfeder / KEY | 2 | St45 |
| ⑳ | Passfeder / KEY | 8 | St45 |

| Options-Code / Option Code | Beschreibung / Envelope |
|-------------------------------|----------------------------|
| K | mit Passfeder / with key |

Bestellnummer / Order Number

| | | | | |
|---|--------------------------|-----|--------------|------------|
|  | Bestellnr. / Catalog No. | (W) | (α) | Typ / Type |
| | KACVG | 165 | 30 | GK |

 Ausführung Passfeder /
Key specification


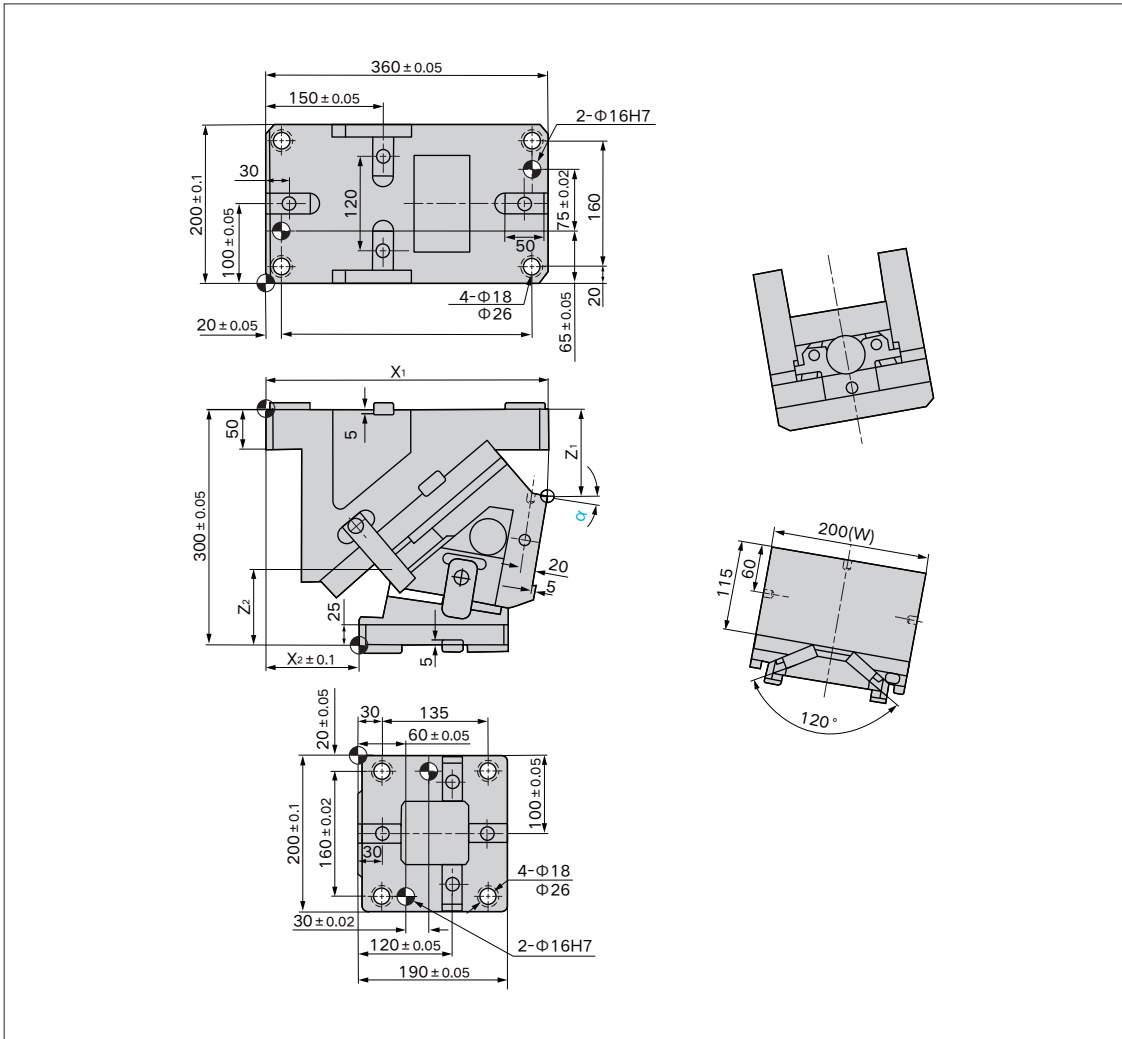
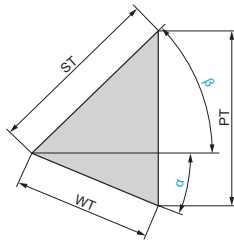
KACVG200


Tabelle Schieber
Table of Cam Structure

| Bestellnr. / Catalog No. | W | X ₁ | X ₂ | Z ₁ | Z ₂ | Gewicht (kg) / Weight (kg) |
|-----------------------------|-----|----------------|----------------|----------------|----------------|-------------------------------|
| KACVG200-00 | 200 | 360.0 | 150 | 95.0 | 78.5 | 91.6 |
| KACVG200-05 | 200 | 356.3 | 134 | 100.9 | 88.8 | 88.9 |
| KACVG200-10 | 200 | 359.3 | 118 | 111.1 | 95.6 | 88.0 |
| KACVG200-15 | 200 | 355.8 | 111 | 122.5 | 101.9 | 87.0 |
| KACVG200-20 | 200 | 355.7 | 93 | 130.0 | 112.7 | 85.5 |
| KACVG200-25 | 200 | 354.9 | 80 | 138.6 | 122.8 | 85.9 |
| KACVG200-30 | 200 | 357.3 | 70 | 148.3 | 132.2 | 85.0 |
| KACVG200-35 | 200 | 345.8 | 64 | 158.9 | 140.7 | 84.8 |
| KACVG200-40 | 200 | 344.3 | 58 | 170.4 | 148.4 | 85.8 |
| KACVG200-45 | 200 | 344.9 | 40 | 182.7 | 155.2 | 85.7 |
| KACVG200-50 | 200 | 327.3 | 10 | 195.6 | 141.8 | 84.7 |
| KACVG200-55 | 200 | 324.4 | 0 | 210.2 | 131.9 | 85.7 |
| KACVG200-60 | 200 | 317.6 | -7 | 215.6 | 133.7 | 84.2 |
| KACVG200-65 | 200 | 319.2 | -15 | 231.4 | 133.0 | 86.7 |
| KACVG200-70 | 200 | 313.1 | -25 | 245.7 | 133.2 | 88.8 |
| KACVG200-75 | 200 | 306.1 | -35 | 260.2 | 132.6 | 91.1 |

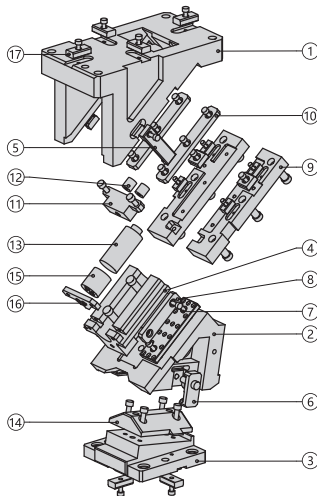




| Bestellnr. / Catalog No. | α | β | WT | ST | PT | Arbeitskraft (kN) / Working Force KN |
|-----------------------------|----------|---------|------|----|------|---|
| KACVG200-00 | 0 | 50 | 32.1 | 50 | 38.3 | 218 |
| KACVG200-05 | 5 | 45 | 35.5 | | 38.4 | |
| KACVG200-10 | 10 | 40 | 38.9 | | 38.9 | |
| KACVG200-15 | 15 | 35 | 42.4 | | 39.7 | |
| KACVG200-20 | 20 | 30 | 46.1 | | 40.8 | |
| KACVG200-25 | 25 | 25 | 50.0 | | 42.3 | |
| KACVG200-30 | 30 | 20 | 54.3 | | 44.2 | |
| KACVG200-35 | 35 | 15 | 59.0 | | 46.8 | |
| KACVG200-40 | 40 | 10 | 64.3 | | 50.0 | |
| KACVG200-45 | 45 | 5 | 70.4 | | 54.2 | |
| KACVG200-50 | 50 | 0 | 77.8 | 30 | 59.6 | |
| KACVG200-55 | 55 | | 52.3 | | 42.8 | |
| KACVG200-60 | 60 | | 60.0 | | 52.0 | |
| KACVG200-65 | 65 | | 71.0 | | 64.3 | |
| KACVG200-70 | 70 | | 58.5 | | 55.0 | |
| KACVG200-75 | 75 | | 77.3 | | 74.6 | |

**Übersicht Schieberkraft / Rückzugskraft
Table of Cam Force**


| Typ / Type | α | Federkraft (N) / Spring Force (N) | | Gasdruckfeder / Gas Spring |
|---------------|-----------|-----------------------------------|--------------------------|-------------------------------|
| | | Anfangskraft / Initial Load | Endkraft / Final Load | |
| GK | 00° ~ 50° | 4700 | 6600 | X750-063-TD (Kaller) |
| | 55° ~ 65° | | | X750-050-TD (Kaller) |
| | 70° ~ 75° | | | X750-038-TD (Kaller) |
| GD | 00° ~ 50° | 4700 | 6150 | U 0800063 (Dadco) |
| | 55° ~ 65° | | | U 0800050 (Dadco) |
| | 70° ~ 75° | | | U 0800038 (Dadco) |

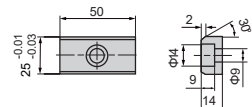


| Nr. / No. | Beschreibung / Description | Anzahl / Qty | Material und Anmerkung / Material and Remark |
|--------------|--|-----------------|---|
| ① | Aufnahme / Cam Holder | 1 | QT550 |
| ② | Schieber / Cam Slider | 1 | QT550 |
| ③ | Treiber / Cam Driver | 1 | QT550 |
| ④ | Federführungsblock / Suspension Arm | 1 | St45 |
| ⑤ | Sicherungsplatte / Safety Hook | 2 | St45 |
| ⑥ | Zwangsrückführung / Positive Return Follower | 2 | St45 |
| ⑦ | Gleitplatte / Copper Guide | 2 | Bronze+Festschmierstoff / graphite plugs |
| ⑧ | Gleitplatte / Copper Guide | 2 | Bronze+Festschmierstoff / graphite plugs |
| ⑨ | Gleitplatte / Guide Block | 2 | 42CrMo |
| ⑩ | Gleitplatte / Copper Guide | 2 | Bronze+Festschmierstoff / graphite plugs |
| ⑪ | Stopblock / Stopping Block | 1 | St45 |
| ⑫ | Urethan-Dämpfer / Urethane Stopper | 2 | Urethan |
| ⑬ | Gasdruckfeder / Gas Spring | 1 | Typ / Type |
| ⑭ | V-Prisma / V Cam Slide Guide | 1 | 42CrMo |
| ⑮ | Federblock / Spring Block | 1 | St45 |
| ⑯ | Federplatte / Spring Baffle | 1 | St45 |

| Options-Code / Option Code | Beschreibung / Envelope |
|-------------------------------|----------------------------|
| K | mit Passfeder / with key |

Bestellnummer / Order Number

| | | | | |
|---|--------------------------|-----|--------------|------------|
|  | Bestellnr. / Catalog No. | (W) | (α) | Typ / Type |
| | KACVG | 200 | 30 | GK |

 Ausführung Passfeder /
Key specification


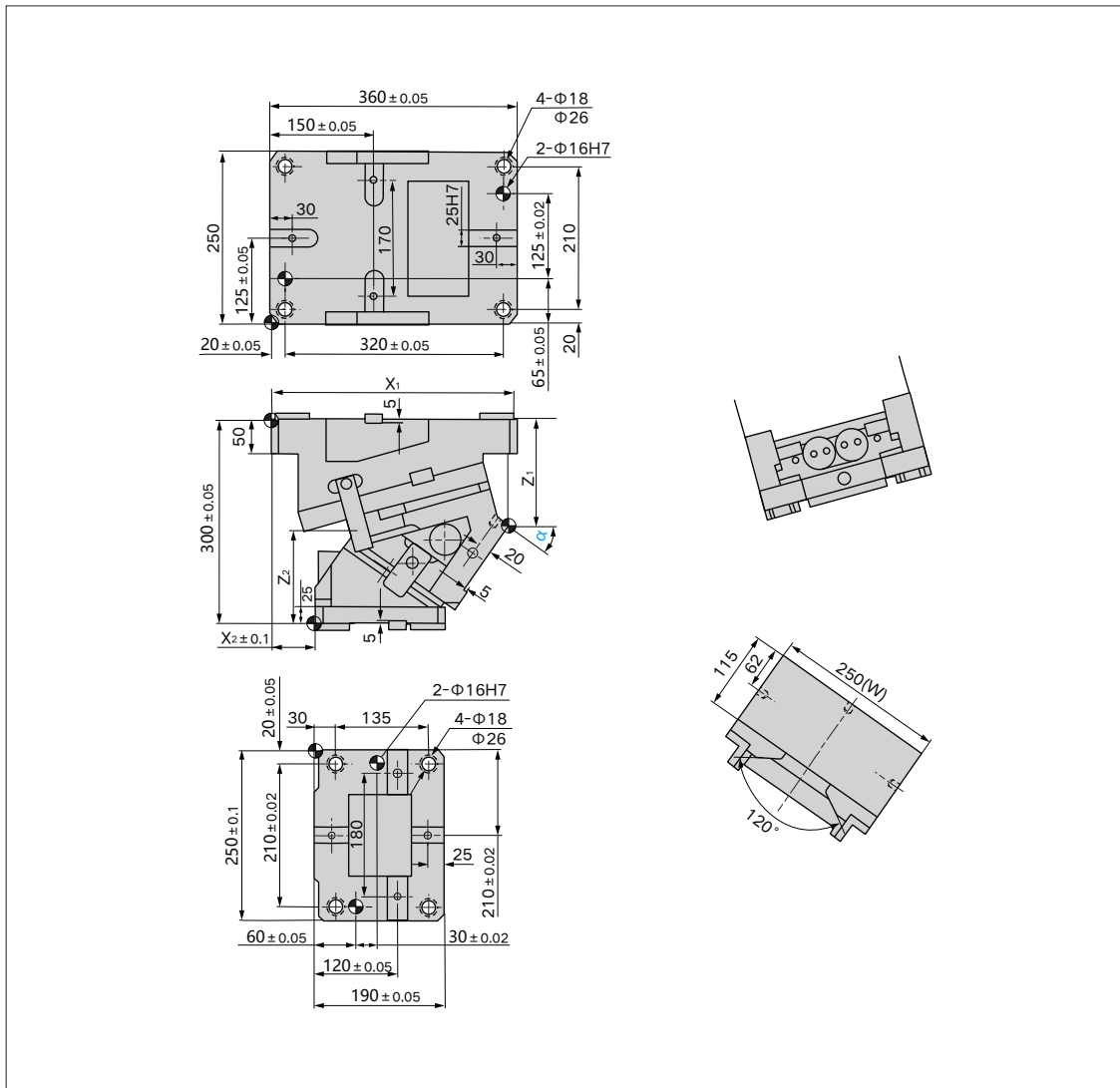
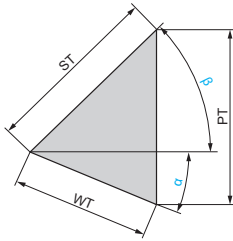
KACVG250


Tabelle Schieber
Table of Cam Structure

| Bestellnr. / Catalog No. | W | X ₁ | X ₂ | Z ₁ | Z ₂ | Gewicht (kg) / Weight (kg) |
|-----------------------------|-----|----------------|----------------|----------------|----------------|-------------------------------|
| KACVG250-00 | 250 | 360.0 | 150 | 95.0 | 72.5 | 113.0 |
| KACVG250-05 | 250 | 356.4 | 134 | 98.9 | 84.6 | 110.5 |
| KACVG250-10 | 250 | 359.6 | 118 | 109.1 | 91.3 | 109.6 |
| KACVG250-15 | 250 | 356.3 | 111 | 120.5 | 96.3 | 108.4 |
| KACVG250-20 | 250 | 356.4 | 93 | 128.1 | 106.7 | 107.1 |
| KACVG250-25 | 250 | 335.7 | 80 | 136.8 | 116.4 | 106.0 |
| KACVG250-30 | 250 | 358.3 | 70 | 146.5 | 125.5 | 105.8 |
| KACVG250-35 | 250 | 346.9 | 64 | 157.3 | 133.8 | 107.0 |
| KACVG250-40 | 250 | 345.6 | 58 | 168.8 | 141.3 | 108.2 |
| KACVG250-45 | 250 | 346.3 | 40 | 181.2 | 148.0 | 108.5 |
| KACVG250-50 | 250 | 328.8 | 10 | 194.3 | 138.4 | 107.4 |
| KACVG250-55 | 250 | 326.8 | 0 | 208.5 | 125.3 | 106.3 |
| KACVG250-60 | 250 | 320.2 | -7 | 214.1 | 131.5 | 106.4 |
| KACVG250-65 | 250 | 319.2 | -15 | 231.4 | 134.3 | 109.4 |
| KACVG250-70 | 250 | 313.1 | -25 | 245.7 | 135.3 | 112.5 |
| KACVG250-75 | 250 | 306.1 | -35 | 260.2 | 135.4 | 115.5 |

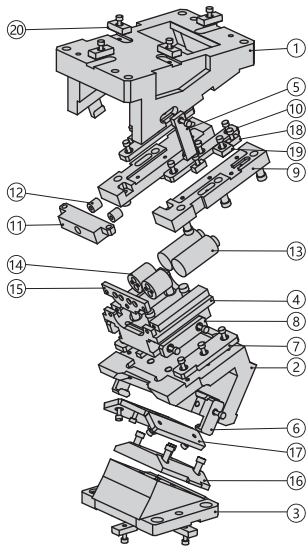




| Bestellnr. / Catalog No. | α | β | WT | ST | PT | Arbeitskraft (kN) / Working Force KN |
|-----------------------------|----------|---------|------|------|------|---|
| KACVG250-00 | 0 | 50 | 32.1 | 50 | 38.3 | 284 |
| KACVG250-05 | 5 | 45 | 35.5 | | 38.4 | |
| KACVG250-20 | 10 | 40 | 38.9 | | 38.9 | |
| KACVG250-15 | 15 | 35 | 42.4 | | 39.7 | |
| KACVG250-20 | 20 | 30 | 46.1 | | 40.8 | |
| KACVG250-25 | 25 | 25 | 50.0 | | 42.3 | |
| KACVG250-30 | 30 | 20 | 54.3 | | 44.2 | |
| KACVG250-35 | 35 | 15 | 59.0 | | 46.8 | |
| KACVG250-40 | 40 | 10 | 64.3 | | 50.0 | |
| KACVG250-45 | 45 | 5 | 70.4 | | 54.2 | |
| KACVG250-50 | 50 | 0 | 77.8 | 30 | 59.6 | |
| KACVG250-55 | 55 | | 52.3 | | 42.8 | |
| KACVG250-60 | 60 | | 60.0 | 52.0 | | |
| KACVG250-65 | 65 | | 71.0 | 64.3 | | |
| KACVG250-70 | 70 | | 58.5 | 55.0 | | |
| KACVG250-75 | 75 | | 77.3 | 74.6 | | |
| | | | | | 20 | |

**Übersicht Schieberkraft / Rückzugskraft
Table of Cam Force**


| Typ / Type | α | Federkraft (N) / Spring Force (N) | | Gasdruckfeder / Gas Spring |
|---------------|-----------|-----------------------------------|-----------------------|----------------------------|
| | | Anfangskraft / Initial Load | Endkraft / Final Load | |
| GK | 00° ~ 50° | 9400 | 13200 | X750-063-TD (Kaller) |
| | 55° ~ 65° | | | X750-050-TD (Kaller) |
| | 70° ~ 75° | | | X750-038-TD (Kaller) |
| GD | 00° ~ 50° | 9400 | 12300 | U 0800063 (Dadco) |
| | 55° ~ 65° | | | U 0800050 (Dadco) |
| | 70° ~ 75° | | | U 0800038 (Dadco) |

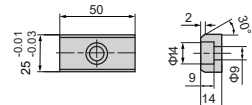


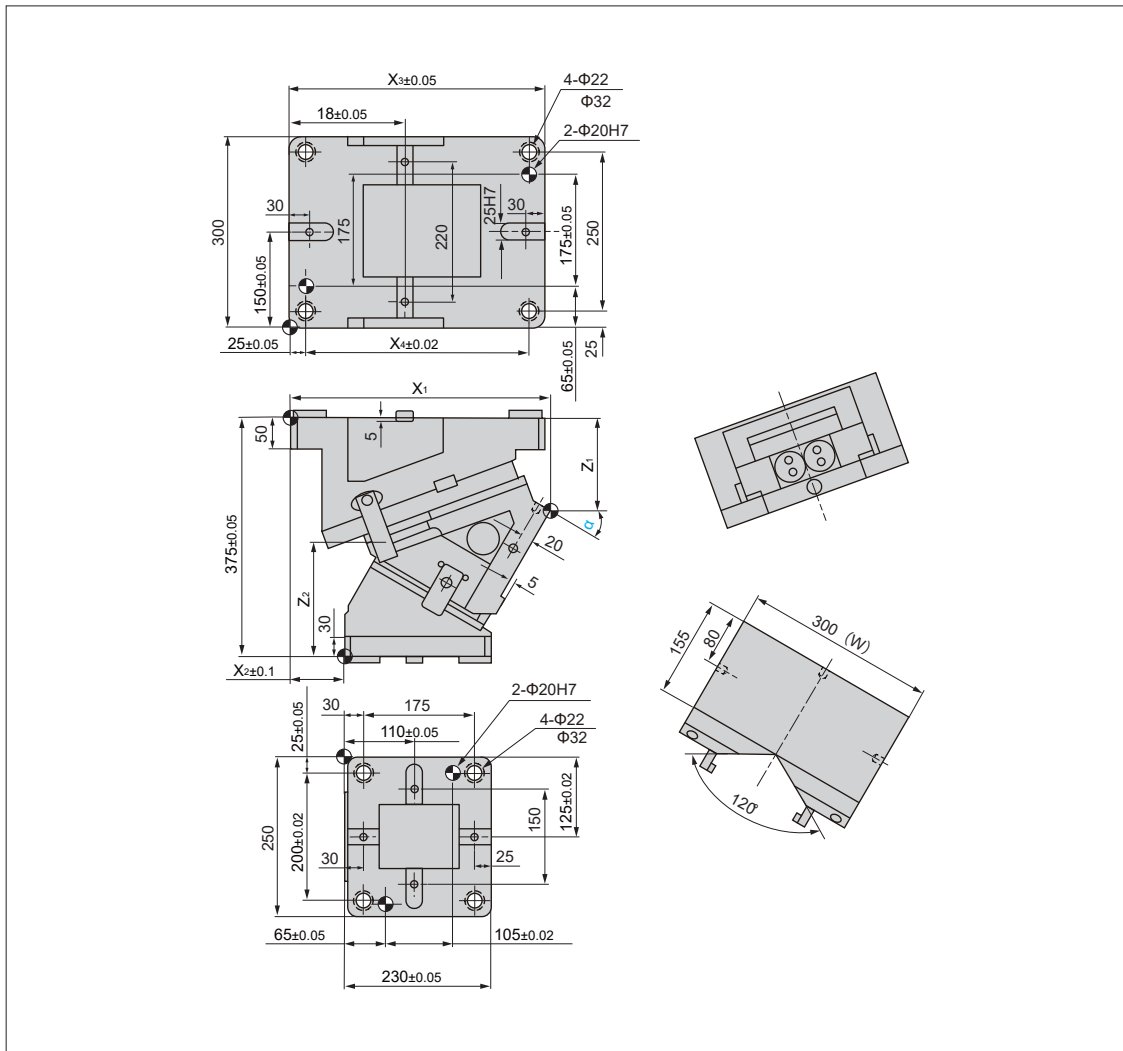
| Nr. / No. | Beschreibung / Description | Anzahl / Qty | Material und Anmerkung / Material and Remark |
|--------------|--|-----------------|---|
| ① | Aufnahme / am Holder | 1 | QT550 |
| ② | Schieber / Cam Slider | 1 | QT550 |
| ③ | Treiber / Cam Driver | 1 | QT550 |
| ④ | Federführungsblock / Suspension Arm | 1 | St45 |
| ⑤ | Sicherungsplatte / Safety Plate | 2 | St45 |
| ⑥ | Zwangsrückführung / Positive Return Follower | 2 | St45 |
| ⑦ | Gleitplatte / Copper Guide | 2 | Bronze+Festschmierstoff / graphite plugs |
| ⑧ | Gleitplatte / Copper Guide | 2 | Bronze+Festschmierstoff / graphite plugs |
| ⑨ | Gleitplatte / Guide Block | 2 | 42CrMo |
| ⑩ | Gleitplatte / Copper Guide | 2 | Bronze+Festschmierstoff / graphite plugs |
| ⑪ | Stopblock / Stopping Block | 1 | St45 |
| ⑫ | Urethan-Dämpfer / Urethane Stopper | 2 | Urethan |
| ⑬ | Gasdruckfeder / Gas Spring | 2 | Typ / Type |
| ⑭ | Federblock / Spring Block | 1 | St45 |
| ⑮ | Federplatte / Spring Plate | 1 | St45 |
| ⑯ | V-Prisma / V Cam Slide Guide | 1 | 42CrMo |
| ⑰ | Gleitplatte / Copper Guide | 2 | Bronze+Festschmierstoff / graphite plugs |
| ⑱ | Passfeder / KEY | 2 | St45 |
| ⑲ | Passfeder / KEY | 2 | St45 |
| ⑳ | Passfeder / KEY | 8 | St45 |

| Options-Code / Option Code | Beschreibung / Envelope |
|-------------------------------|----------------------------|
| K | mit Passfeder / with key |

Bestellnummer / Order Number

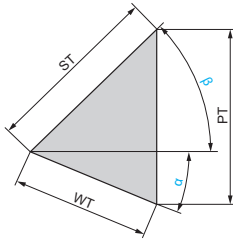
| | | | | |
|---|--------------------------|-----|--------------|------------|
|  | Bestellnr. / Catalog No. | (W) | (α) | Typ / Type |
| | KACVG | 250 | 30 | GK |

 Ausführung Passfeder /
Key specification


KACVG300

**Tabelle Schieber
Table of Cam Structure**

| Bestellnr. / Catalog No. | W | X ₁ | X ₂ | X ₃ | X ₄ | Z ₁ | Z ₂ | Gewicht (kg) / Weight (kg) |
|-----------------------------|-----|----------------|----------------|----------------|----------------|----------------|----------------|-------------------------------|
| KACVG300-00 | 300 | 395.0 | 163 | 390 | 340 | 98.0 | 105.5 | 167.1 |
| KACVG300-05 | 300 | 387.2 | 155 | 390 | 340 | 104.2 | 116.9 | 163.8 |
| KACVG300-10 | 300 | 394.1 | 145 | 390 | 340 | 111.9 | 128.5 | 161.9 |
| KACVG300-15 | 300 | 395.8 | 135 | 390 | 340 | 121.0 | 139.6 | 160.1 |
| KACVG300-20 | 300 | 397.1 | 120 | 390 | 340 | 131.6 | 150.2 | 157.9 |
| KACVG300-25 | 300 | 404.7 | 110 | 400 | 350 | 138.7 | 165.0 | 158.6 |
| KACVG300-30 | 300 | 408.2 | 85 | 400 | 350 | 146.9 | 179.2 | 157.1 |
| KACVG300-35 | 300 | 404.5 | 70 | 400 | 350 | 159.2 | 189.6 | 158.5 |
| KACVG300-40 | 300 | 400.5 | 55 | 400 | 350 | 167.3 | 204.5 | 159.4 |
| KACVG300-45 | 300 | 394.8 | 40 | 400 | 350 | 179.2 | 215.6 | 159.0 |
| KACVG300-50 | 300 | 393.3 | 17 | 410 | 360 | 196.0 | 194.8 | 157.7 |
| KACVG300-55 | 300 | 393.3 | 0 | 410 | 360 | 222.8 | 188.8 | 162.3 |
| KACVG300-60 | 300 | 393.3 | -10 | 410 | 360 | 249.6 | 182.3 | 166.9 |
| KACVG300-65 | 300 | 387.5 | -28 | 410 | 360 | 266.5 | 185.4 | 171.7 |
| KACVG300-70 | 300 | 378.8 | -45 | 410 | 360 | 282.0 | 189.2 | 176.8 |
| KACVG300-75 | 300 | 364.7 | -65 | 410 | 360 | 296.9 | 192.9 | 182.2 |

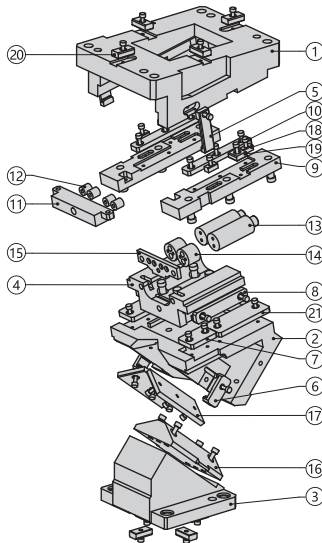




| Bestellnr. / Catalog No. | α | β | WT | ST | PT | Arbeitskraft (kN) / Working Force KN |
|-----------------------------|----------|---------|-------|-------|------|---|
| KACVG300-00 | 0 | 50 | 38.6 | 60 | 46.0 | 364 |
| KACVG300-05 | 5 | 45 | 42.6 | | 46.1 | |
| KACVG300-10 | 10 | 40 | 46.7 | | 46.7 | |
| KACVG300-15 | 15 | 35 | 50.9 | | 47.6 | |
| KACVG300-20 | 20 | 30 | 55.3 | | 48.9 | |
| KACVG300-25 | 25 | 25 | 60.0 | | 50.7 | |
| KACVG300-30 | 30 | 20 | 65.1 | | 53.1 | |
| KACVG300-35 | 35 | 15 | 70.8 | | 56.1 | |
| KACVG300-40 | 40 | 10 | 77.1 | | 60.0 | |
| KACVG300-45 | 45 | 5 | 84.5 | | 65.0 | |
| KACVG300-50 | 50 | 0 | 93.3 | 71.5 | | |
| KACVG300-55 | 55 | | 104.6 | 85.7 | | |
| KACVG300-60 | 60 | | 120.0 | 103.9 | | |
| KACVG300-65 | 65 | | 94.6 | 85.8 | | |
| KACVG300-70 | 70 | | 73.1 | 68.7 | | |
| KACVG300-75 | 75 | | 96.6 | 93.3 | | |

**Übersicht Schieberkraft / Rückzugskraft
Table of Cam Force**


| Typ / Type | α | Federkraft (N) / Spring Force (N) | | Gasdruckfeder / Gas Spring |
|---------------|-----------|-----------------------------------|-----------------------|----------------------------|
| | | Anfangskraft / Initial Load | Endkraft / Final Load | |
| GK | 00° ~ 60° | 9400 | 13200 | X750-080-TD (Kaller) |
| | 65° | | | X750-063-TD (Kaller) |
| | 70° ~ 75° | | | X750-050-TD (Kaller) |
| GD | 00° ~ 60° | 9400 | 12300 | U 0800080 (Dadco) |
| | 65° | | | U 0800063 (Dadco) |
| | 70° ~ 75° | | | U 0800050 (Dadco) |

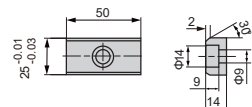


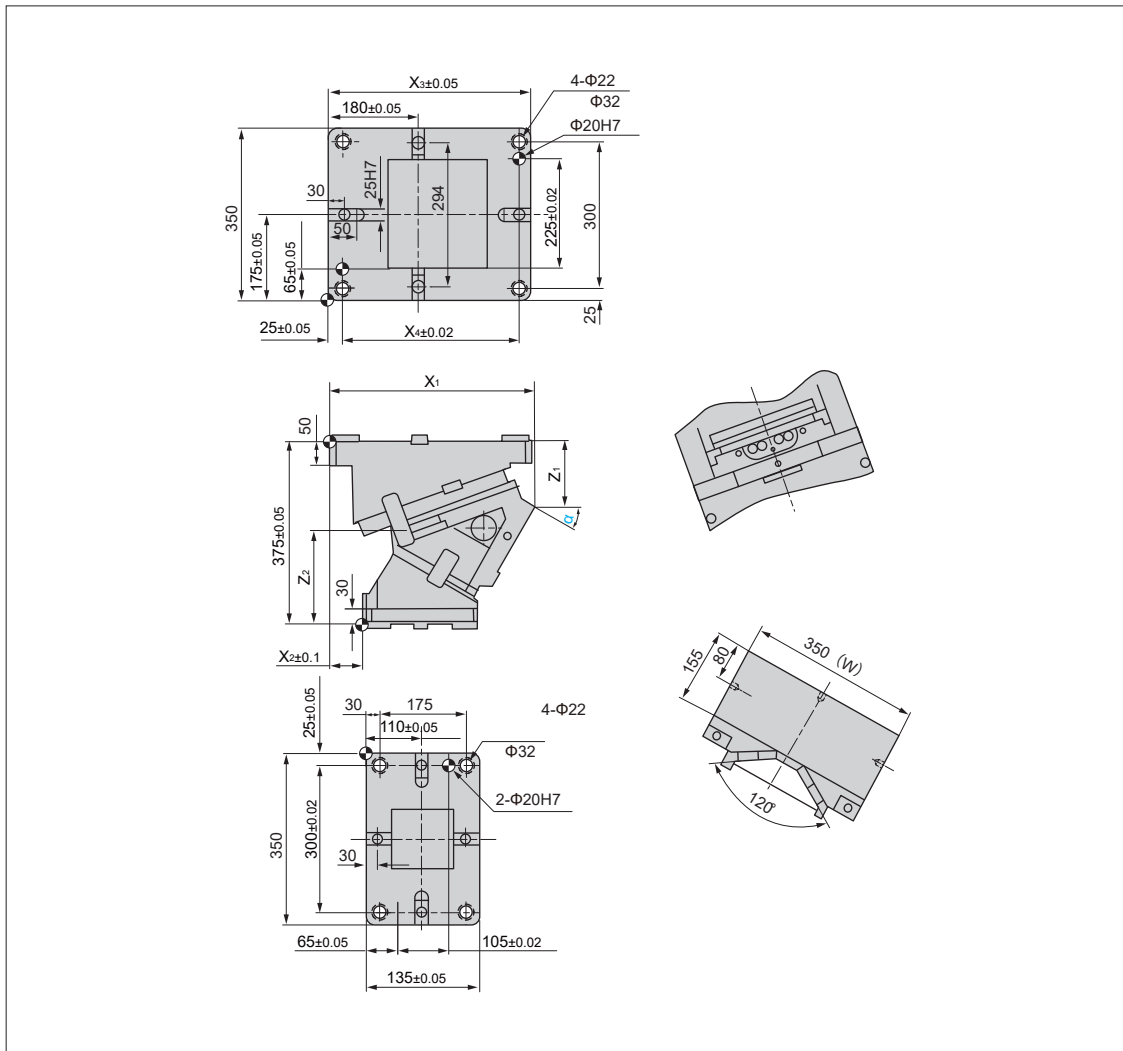
| Nr. / No. | Beschreibung / Description | Anzahl / Qty | Material und Anmerkung / Material and Remark |
|--------------|--|-----------------|---|
| ① | Aufnahme / Cam Holder | 1 | QT550 |
| ② | Schieber / Cam Slider | 1 | QT550 |
| ③ | Treiber / Cam Driver | 1 | QT550 |
| ④ | Federführungsblock / Suspension Arm | 1 | St45 |
| ⑤ | Sicherungsplatte / Safety Plate | 2 | St45 |
| ⑥ | Zwangsrückführung / Positive Return Follower | 2 | St45 |
| ⑦ | Gleitplatte / Copper Guide | 2 | Bronze+Festschmierstoff / graphite plugs |
| ⑧ | Gleitplatte / Copper Guide | 2 | Bronze+Festschmierstoff / graphite plugs |
| ⑨ | Gleitplatte / Guide Block | 2 | 42CrMo |
| ⑩ | Gleitplatte / Copper Guide | 2 | Bronze+Festschmierstoff / graphite plugs |
| ⑪ | Stopblock / Stopping Block | 1 | St45 |
| ⑫ | Urethan-Dämpfer / Urethane Stopper | 2 | Urethan |
| ⑬ | Gasdruckfeder / Gas Spring | 2 | Typ / Type |
| ⑭ | Federblock / Spring Block | 1 | St45 |
| ⑮ | Federplatte / Spring Plate | 1 | St45 |
| ⑯ | V-Prisma / V Cam Slide Guide | 1 | 42CrMo |
| ⑰ | Gleitplatte / Copper Guide | 2 | Bronze+Festschmierstoff / graphite plugs |
| ⑱ | Passfeder / KEY | 2 | St45 |
| ⑲ | Passfeder / KEY | 2 | St45 |
| ⑳ | Passfeder / KEY | 8 | St45 |
| ㉑ | Gleitplatte / Copper Guide | 2 | Bronze+Festschmierstoff / graphite plugs |

| Options-Code / Option Code | Beschreibung / Envelope |
|-------------------------------|----------------------------|
| K | mit Passfeder / with key |

Bestellnummer / Order Number

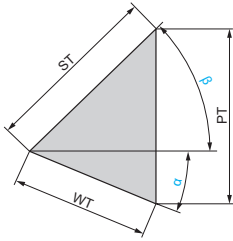
| | | | | |
|---|--------------------------|-----|-----|------------|
|  | Bestellnr. / Catalog No. | (W) | (α) | Typ / Type |
| | KACVG | 300 | 30 | GK |

 Ausführung Passfeder /
Key specification


KACVG350

**Tabelle Schieber
Table of Cam Structure**

| Bestellnr. / Catalog No. | W | X ₁ | X ₂ | X ₃ | X ₄ | Z ₁ | Z ₂ | Gewicht (kg) / Weight (kg) |
|-----------------------------|-----|----------------|----------------|----------------|----------------|----------------|----------------|-------------------------------|
| KACVG350-00 | 350 | 395.0 | 160 | 390 | 340 | 85.0 | 117.5 | 212.4 |
| KACVG350-05 | 350 | 409.6 | 155 | 390 | 340 | 95.0 | 126.0 | 214.7 |
| KACVG350-10 | 350 | 414.5 | 140 | 390 | 340 | 104.7 | 136.1 | 207.0 |
| KACVG350-15 | 350 | 408.6 | 115 | 390 | 340 | 113.8 | 147.7 | 204.5 |
| KACVG350-20 | 350 | 422.9 | 110 | 390 | 340 | 122.2 | 160.8 | 205.3 |
| KACVG350-25 | 350 | 421.5 | 90 | 410 | 360 | 129.9 | 175.3 | 203.9 |
| KACVG350-30 | 350 | 418.5 | 70 | 410 | 360 | 136.9 | 191.2 | 203.5 |
| KACVG350-35 | 350 | 415.9 | 50 | 410 | 360 | 153.1 | 198.2 | 204.6 |
| KACVG350-40 | 350 | 410.8 | 30 | 410 | 360 | 168.4 | 206.2 | 207.1 |
| KACVG350-45 | 350 | 405.2 | 10 | 410 | 360 | 182.8 | 215.2 | 209.7 |
| KACVG350-50 | 350 | 397.4 | -10 | 410 | 360 | 201.3 | 219.8 | 210.9 |
| KACVG350-55 | 300 | 398.6 | -20 | 410 | 360 | 214.7 | 200.6 | 208.7 |
| KACVG350-60 | 350 | 392.8 | -35 | 410 | 360 | 235.7 | 200.3 | 214.1 |
| KACVG350-65 | 350 | 398.8 | -40 | 410 | 360 | 255.3 | 200.9 | 218.5 |
| KACVG350-70 | 350 | 394.8 | -50 | 410 | 360 | 274.5 | 201.3 | 225.5 |
| KACVG350-75 | 350 | 394.6 | -55 | 410 | 360 | 295.2 | 199.4 | 230.9 |

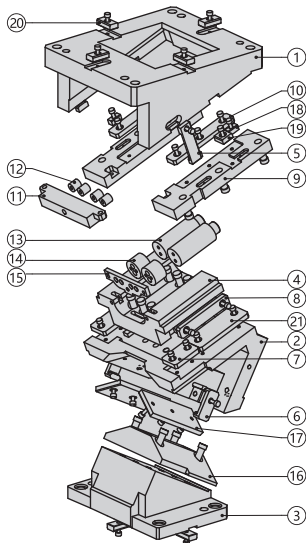




| Bestellnr. / Catalog No. | α | β | WT | ST | PT | Arbeitskraft (kN) / Working Force KN |
|-----------------------------|----------|---------|------|------|------|---|
| KACVG350-00 | 0 | 50 | 38.6 | 60 | 46.0 | 405 |
| KACVG350-05 | 5 | 45 | 42.6 | | 46.1 | |
| KACVG350-10 | 10 | 40 | 46.7 | | 46.7 | |
| KACVG350-15 | 15 | 35 | 50.9 | | 47.6 | |
| KACVG350-20 | 20 | 30 | 55.3 | | 48.9 | |
| KACVG350-25 | 25 | 25 | 60.0 | | 50.7 | |
| KACVG350-30 | 30 | 20 | 65.1 | | 53.1 | |
| KACVG350-35 | 35 | 15 | 70.8 | | 56.1 | |
| KACVG350-40 | 40 | 10 | 77.1 | | 60.0 | |
| KACVG350-45 | 45 | 5 | 84.5 | | 65.0 | |
| KACVG350-50 | 50 | 0 | 93.3 | 71.5 | | |
| KACVG350-55 | 55 | | 87.2 | 50 | 71.4 | |
| KACVG350-60 | 60 | | 90.0 | 45 | 77.9 | |
| KACVG350-65 | 65 | | 94.6 | 40 | 85.8 | |
| KACVG350-70 | 70 | | 87.7 | 30 | 82.4 | |
| KACVG350-75 | 75 | | 96.6 | 25 | 93.3 | |

**Übersicht Schieberkraft / Rückzugskraft
Table of Cam Force**

| Typ / Type | α | Federkraft (N) / Spring Force (N) | | Gasdruckfeder / Gas Spring |
|---------------|-----------|-----------------------------------|-----------------------|----------------------------|
| | | Anfangskraft / Initial Load | Endkraft / Final Load | |
| GK | 00° ~ 50° | 11531 | 18434 | X1000-080-TD (Kaller) |
| | 55° | | | X1000-075-TD (Kaller) |
| | 60° ~ 65° | | | X1000-063-TD (Kaller) |
| | 70° ~ 75° | | | X1000-050-TD (Kaller) |
| GD | 00° ~ 50° | 13260 | 23813 | U 01200080 (Dadco) |
| | 55° | | | U 01200075 (Dadco) |
| | 60° ~ 65° | | | U 01200063 (Dadco) |
| | 70° ~ 75° | | | U 01200050 (Dadco) |



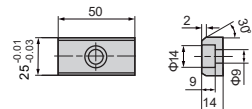
| Nr. / No. | Beschreibung / Description | Anzahl / Qty | Material und Anmerkung / Material and Remark |
|--------------|--|-----------------|---|
| ① | Aufnahme / Cam Holder | 1 | QT550 |
| ② | Schieber / Cam Slider | 1 | QT550 |
| ③ | Treiber / Cam Driver | 1 | QT550 |
| ④ | Federführungsblock / Suspension Arm | 1 | St45 |
| ⑤ | Sicherungsplatte / Safety Plate | 2 | St45 |
| ⑥ | Zwangsrückführung / Positive Return Follower | 2 | St45 |
| ⑦ | Gleitplatte / Copper Guide | 2 | Bronze+Festschmierstoff / graphite plugs |
| ⑧ | Gleitplatte / Copper Guide | 2 | Bronze+Festschmierstoff / graphite plugs |
| ⑨ | Gleitplatte / Guide Block | 2 | 42CrMo |
| ⑩ | Gleitplatte / Copper Guide | 2 | Bronze+Festschmierstoff / graphite plugs |
| ⑪ | Stopblock / Stopping Block | 1 | St45 |
| ⑫ | Urethan-Dämpfer / Urethane Stopper | 2 | Urethan |
| ⑬ | Gasdruckfeder / Gas Spring | 2 | Typ / Type |
| ⑭ | Federblock / Spring Block | 1 | St45 |
| ⑮ | Federplatte / Spring Plate | 1 | St45 |
| ⑯ | V-Prisma / V Cam Slide Guide | 1 | 42CrMo |
| ⑰ | Gleitplatte / Copper Guide | 2 | Bronze+Festschmierstoff / graphite plugs |
| ⑱ | Passfeder / KEY | 2 | St45 |
| ⑲ | Passfeder / KEY | 2 | St45 |
| ⑳ | Passfeder / KEY | 8 | St45 |
| ㉑ | Gleitplatte / Copper Guide | 2 | Bronze+Festschmierstoff / graphite plugs |

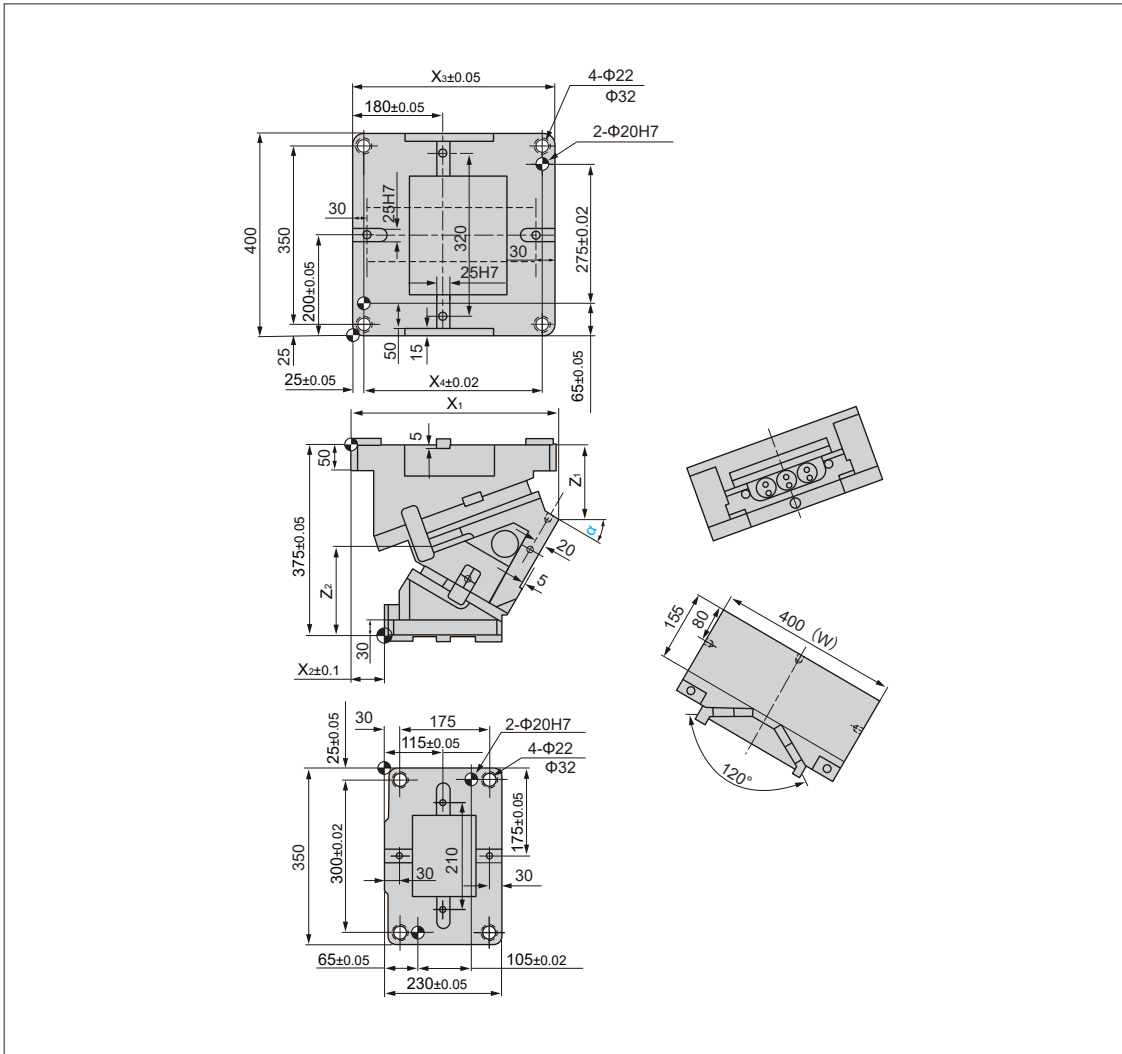
| Options-Code / Option Code | Beschreibung / Envelope |
|-------------------------------|----------------------------|
| K | mit Passfeder / with key |

 Ausführung Passfeder /
Key specification

Bestellnummer / Order Number

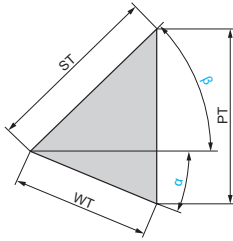
| | | | | |
|---|--------------------------|-----|--------------|------------|
| ☎ | Bestellnr. / Catalog No. | (W) | (α) | Typ / Type |
| | KACVG | 350 | 30 | GK |



KACVG400

**Tabelle Schieber
Table of Cam Structure**

| Bestellnr. / Catalog No. | W | X ₁ | X ₂ | X ₃ | X ₄ | Z ₁ | Z ₂ | Gewicht (kg) / Weight (kg) |
|-----------------------------|-----|----------------|----------------|----------------|----------------|----------------|----------------|-------------------------------|
| KACVG400-00 | 400 | 395.0 | 158 | 390 | 340 | 88.0 | 116.0 | 224.6 |
| KACVG400-05 | 400 | 387.2 | 155 | 390 | 340 | 94.2 | 126.4 | 221.3 |
| KACVG400-10 | 400 | 394.1 | 145 | 390 | 340 | 106.9 | 133.0 | 218.7 |
| KACVG400-15 | 400 | 395.8 | 135 | 390 | 340 | 118.0 | 142.1 | 215.7 |
| KACVG400-20 | 400 | 397.1 | 100 | 390 | 340 | 131.6 | 149.7 | 212.8 |
| KACVG400-25 | 400 | 404.7 | 85 | 400 | 350 | 138.7 | 164.5 | 214.0 |
| KACVG400-30 | 400 | 408.2 | 65 | 400 | 350 | 146.9 | 178.7 | 212.7 |
| KACVG400-35 | 400 | 404.5 | 50 | 400 | 350 | 159.2 | 189.2 | 215.0 |
| KACVG400-40 | 400 | 400.5 | 40 | 400 | 350 | 167.3 | 204.1 | 216.2 |
| KACVG400-45 | 400 | 394.8 | 20 | 400 | 350 | 179.2 | 215.2 | 217.3 |
| KACVG400-50 | 400 | 393.3 | 2 | 410 | 360 | 196.0 | 198.3 | 216.6 |
| KACVG400-55 | 400 | 393.3 | -13 | 410 | 360 | 221.8 | 193.5 | 224.0 |
| KACVG400-60 | 400 | 393.3 | -30 | 410 | 360 | 249.6 | 186.4 | 232.2 |
| KACVG400-65 | 400 | 387.5 | -48 | 410 | 360 | 266.5 | 189.7 | 239.3 |
| KACVG400-70 | 400 | 378.8 | -65 | 410 | 360 | 282.0 | 193.8 | 247.6 |
| KACVG400-75 | 400 | 364.7 | -85 | 410 | 360 | 296.9 | 197.8 | 252.9 |

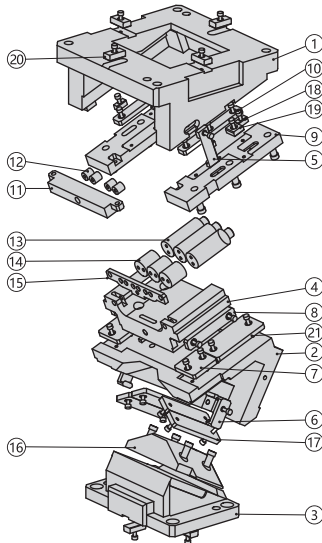




| Bestellnr. / Catalog No. | α | β | WT | ST | PT | Arbeitskraft (kN) / Working Force KN |
|-----------------------------|----------|---------|-------|-------|------|---|
| KACVG400-00 | 0 | 50 | 38.6 | 60 | 46.0 | 450 |
| KACVG400-05 | 5 | 45 | 42.6 | | 46.1 | |
| KACVG400-10 | 10 | 40 | 46.7 | | 46.7 | |
| KACVG400-15 | 15 | 35 | 50.9 | | 47.6 | |
| KACVG400-20 | 20 | 30 | 55.3 | | 48.9 | |
| KACVG400-25 | 25 | 25 | 60.0 | | 50.7 | |
| KACVG400-30 | 30 | 20 | 65.1 | | 53.1 | |
| KACVG400-35 | 35 | 15 | 70.8 | | 56.1 | |
| KACVG400-40 | 40 | 10 | 77.1 | | 60.0 | |
| KACVG400-45 | 45 | 5 | 84.5 | | 65.0 | |
| KACVG400-50 | 50 | 0 | 93.3 | 71.5 | | |
| KACVG400-55 | 55 | | 104.6 | 85.7 | | |
| KACVG400-60 | 60 | | 120.0 | 103.9 | | |
| KACVG400-65 | 65 | | 94.6 | 40 | 85.8 | |
| KACVG400-70 | 70 | | 73.1 | 25 | 68.7 | |
| KACVG400-75 | 75 | | 96.6 | | 93.3 | |

**Übersicht Schieberkraft / Rückzugskraft
Table of Cam Force**

| Typ / Type | α | Federkraft (N) / Spring Force (N) | | Gasdruckfeder / Gas Spring |
|---------------|-----------|-----------------------------------|-----------------------|----------------------------|
| | | Anfangskraft / Initial Load | Endkraft / Final Load | |
| GK | 00° ~ 60° | 14100 | 20100 | TU500-80-TD (Kaller) |
| | 65° | | 19800 | TU500-63.5-TD (Kaller) |
| | 70° ~ 75° | | | TU500-50-TD (Kaller) |
| GD | 00° ~ 60° | 14100 | 18450 | 90.10.00500.080 (Dadco) |
| | 65° | | | 90.10.00500.063 (Dadco) |
| | 70° ~ 75° | | | 90.10.00500.050 (Dadco) |



| Nr. / No. | Beschreibung / Description | Anzahl / Qty | Material und Anmerkung / Material and Remark |
|--------------|--|-----------------|---|
| ① | Aufnahme / Cam Holder | 1 | QT550 |
| ② | Schieber / Cam Slider | 1 | QT550 |
| ③ | Treiber / Cam Driver | 1 | QT550 |
| ④ | Federführungsblock / Suspension Arm | 1 | St45 |
| ⑤ | Sicherungsplatte / Safety Plate | 2 | St45 |
| ⑥ | Zwangsrückführung / Positive Return Follower | 2 | St45 |
| ⑦ | Gleitplatte / Copper Guide | 2 | Bronze+Festschmierstoff / graphite plugs |
| ⑧ | Gleitplatte / Copper Guide | 2 | Bronze+Festschmierstoff / graphite plugs |
| ⑨ | Gleitplatte / Guide Block | 2 | 42CrMo |
| ⑩ | Gleitplatte / Copper Guide | 2 | Bronze+Festschmierstoff / graphite plugs |
| ⑪ | Stopblock / Stopping Block | 1 | St45 |
| ⑫ | Urethan-Dämpfer / Urethane Stopper | 2 | Urethan |
| ⑬ | Gasdruckfeder / Gas Spring | 3 | Typ / Type |
| ⑭ | Federblock / Spring Block | 1 | St45 |
| ⑮ | Federplatte / Spring Plate | 1 | St45 |
| ⑯ | V-Prisma / V Cam Slide Guide | 1 | 42CrMo |
| ⑰ | Gleitplatte / Copper Guide | 4 | Bronze+Festschmierstoff / graphite plugs |
| ⑱ | Passfeder / KEY | 2 | St45 |
| ⑲ | Passfeder / KEY | 2 | St45 |
| ⑳ | Passfeder / KEY | 8 | St45 |
| ㉑ | Gleitplatte / Copper Guide | 2 | Bronze+Festschmierstoff / graphite plugs |

| Options-Code / Option Code | Beschreibung / Envelope |
|-------------------------------|----------------------------|
| K | mit Passfeder / with key |

Bestellnummer / Order Number

| | | | | |
|---|--------------------------|-----|-----|------------|
| ☎ | Bestellnr. / Catalog No. | (W) | (α) | Typ / Type |
| | KACVG | 400 | 30 | GK |

 Ausführung Passfeder /
Key specification
