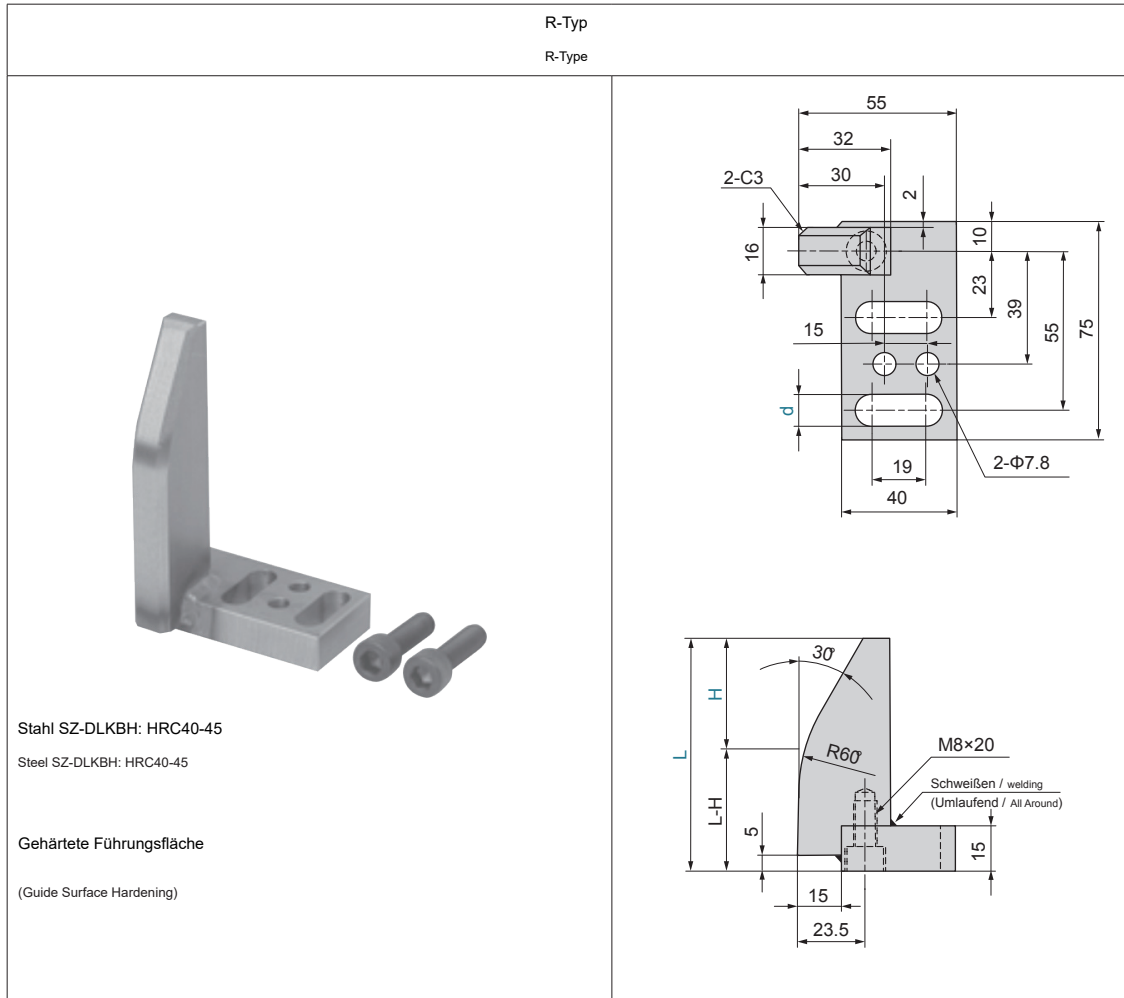



**SZ-DLKB**
**SZ-DLKBH**


Bestell-Nr. Catalog No.	L in 5mm-Schritten L in 5mm increments	H in 5mm-Schritten H in 5mm increments	d	Typ Type
SZ-DLKB SZ-DLKBH	65 ~100	20 ~40	11	R
	105~150		13	
	155~200			

**Bestellnummer / Order Number**

	Bestellnr. / Catalog No.	-	L	-	H	-	d	-	Type
	<b>SZ-DLKB</b>	-	<b>135</b>	-	<b>40</b>	-	<b>11</b>	-	<b>R</b>

