



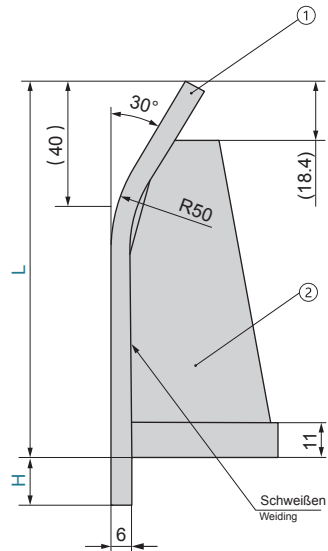
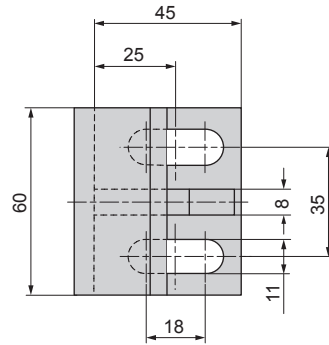
**SZ-DLBA**

**SZ-DLBAD**

(Plattiert)

(Plating)

Material: Q235  
2 Schrauben M10x30 (M12x30) und Federringe im Lieferumfang enthalten  
Material: Q235  
2 screws M10x30 (M12x30) and split washers included



Bestell-Nr. Catalog No.	L 5mm-Schritte / 5mm increments	H 5mm-Schritte / 5mm increments
SX-DLBA	80-140	0-80
SX-DLBAD	145-200	

**Bestellnummer / Order Number**

☎ Bestellnr. / Catalog No. - L - H  
**SX-DLBA - 110 - 0**

