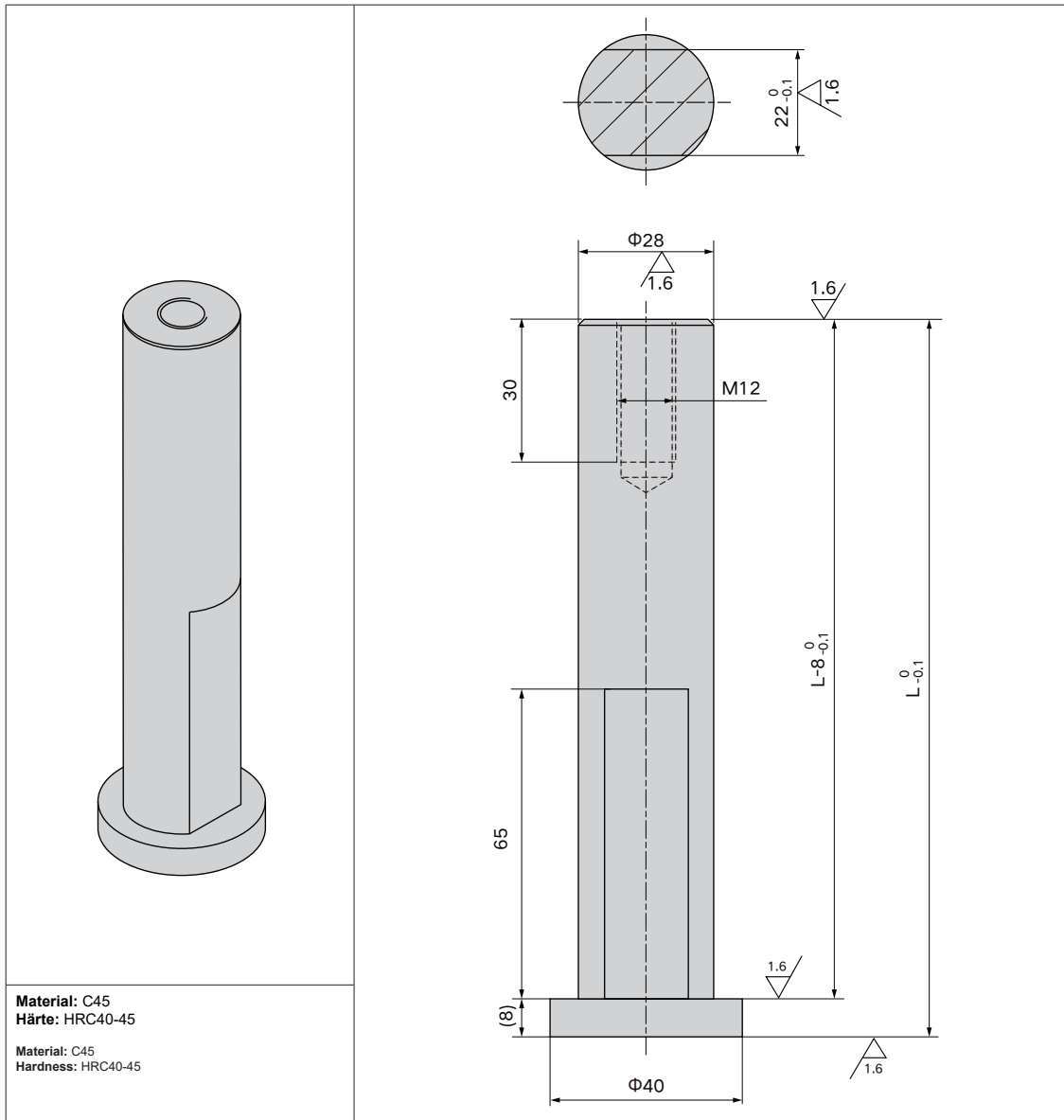



DM-TDGSB



Material: C45
Härte: HRC40-45

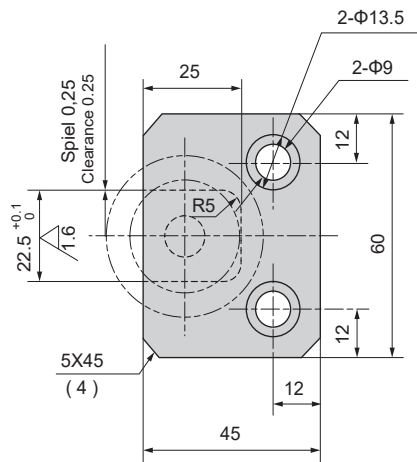
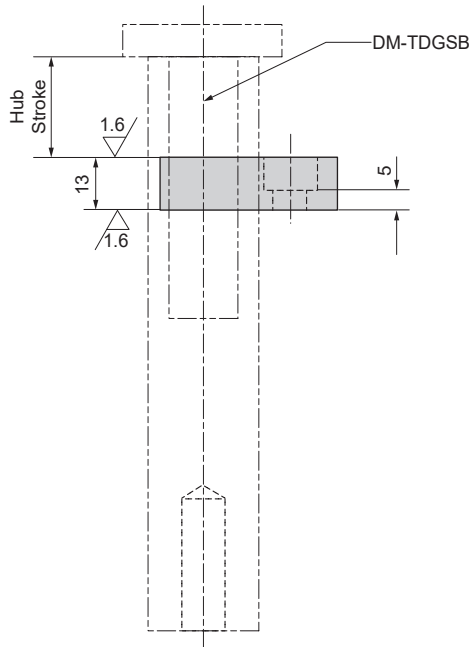
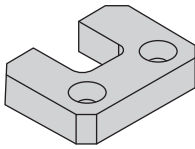
Material: C45
Hardness: HRC40-45

Bestellnummer / Order Number

	Bestellnr. / Catalog No.	-	L
	DM-TDGSB	-	200



DM-KTDGSA



Material: C45
Wärmebehandlung: HRC28-32
Befestigung: 2 Schrauben M8x20 GB70

Material: C45
Heat treatment: HRC28-32
Attachment: 2bolts M8x20 GB70

Bestellnummer / Order Number



Bestellnr. / Catalog No.

DM-KTDGSA

