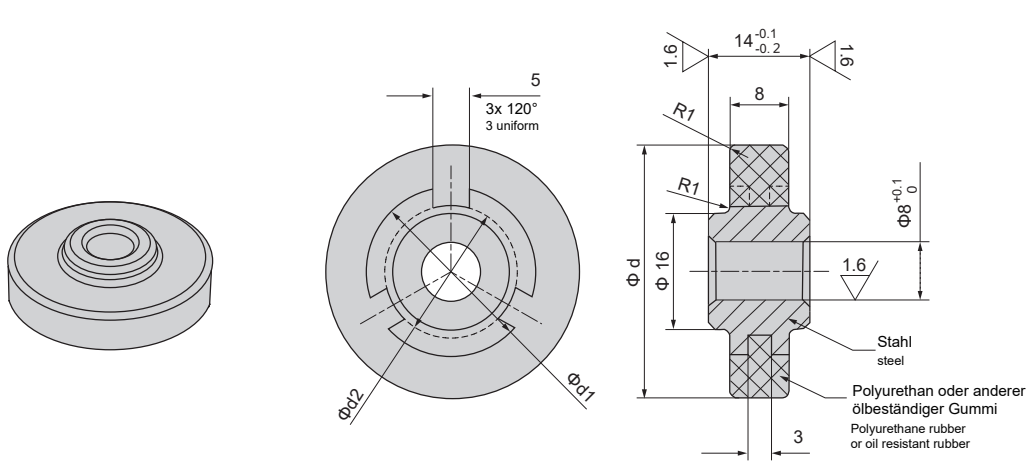




DM-GLAA



Technische Information:


- 1 C45 + Polyurethan oder Öl-resistenter Kunststoff
- 2 Stahl HRC28-32

Technical requirements:

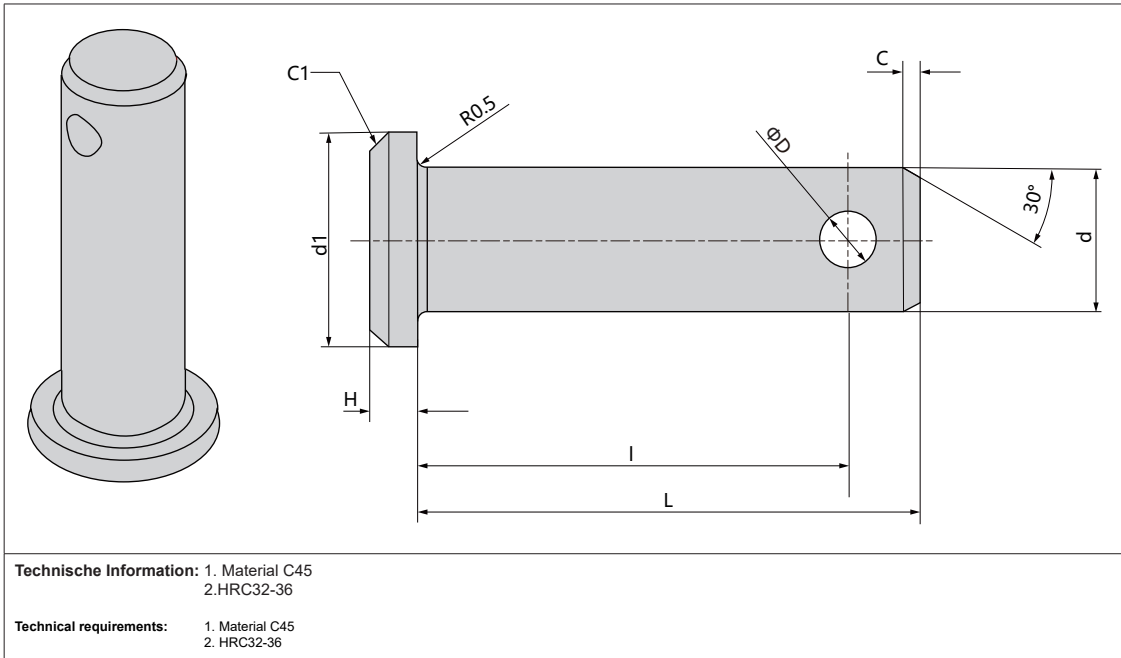
- 1. C45 + polyurethane rubber or oil resistant rubber
- 2. HRC28 ~32(45#)

d	d1	d2
35	28	24

Bestellnummer / Order Number



 -
DM-GLAA - **35**



DM-GLAXZ


Bestell-Nr. Catalog No.	d(h11)		d1	H	D	C	L										
							16	20	24	28	32	40	50	60	70	80	100
DM-GLAXZ	8	0 -0.090	12	2.5	3.2	1.0	12	16	20	24	28	36	46	56	66	76	96
	10		14														
	12	0 -0.110	16	3.0	4.0	1.5	15	19	23	27	35	45	55	65	75	95	
	16		20														

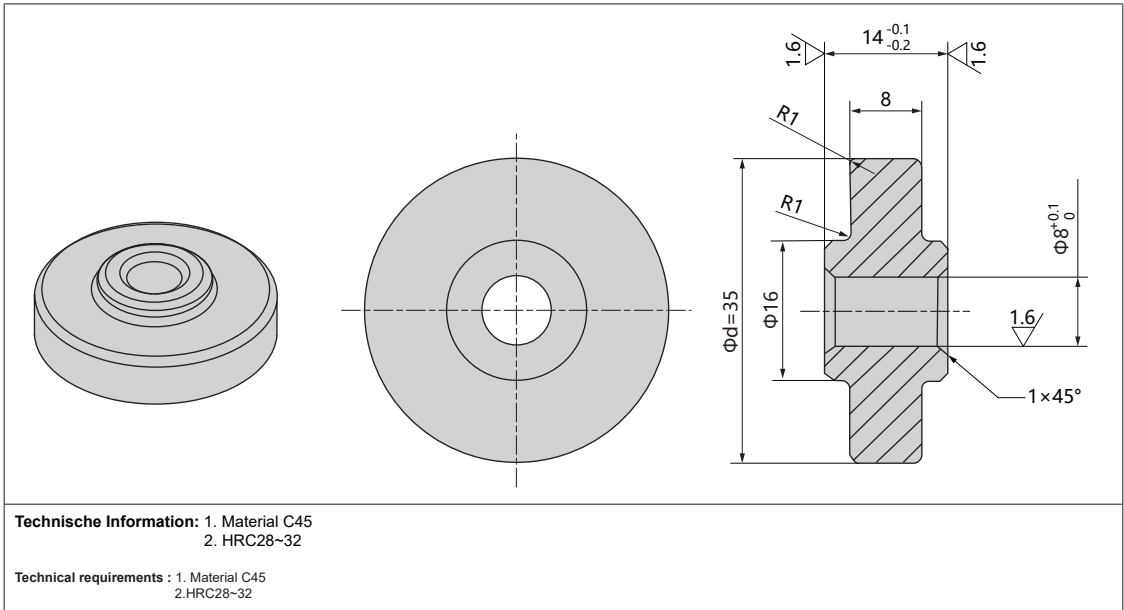
Bestellnummer / Order Number

	Bestellnr. / Catalog No.	-	d	-	L
	DM-GLAXZ	-	8	-	28





DM-GLAB



Bestellnummer / Order Number

	Bestellnr. / Catalog No.	-	d
	DM-GLAB	-	35

