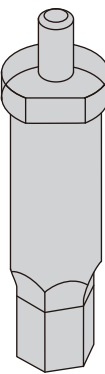
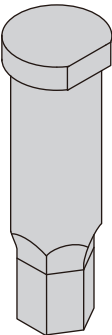


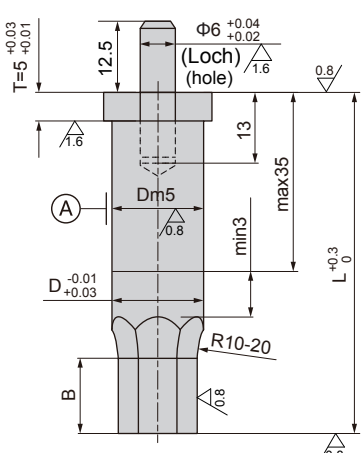
SZ-PSPE, SZ-PSHE
SZ-PPHE, SZ-PSPCE



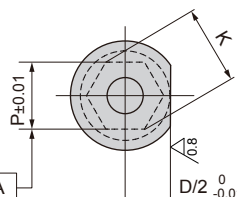
SZ-PSPCE

SZ-PSPE
SZ-PSHE
SZ-PPHE

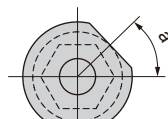




$T = 5^{+0.03}_{+0.01}$
12.5
 $\Phi 6^{+0.04}_{+0.02}$ (Loch) (hole)
13
max 35
 $L + 0.3$
min 3
 D_{m5}
 $D^{-0.01}_{+0.03}$
R10-20
B
 $\sqrt{0.8}$
 $\sqrt{0.8}$



$P \pm 0.01$
 K
 $\sqrt{0.8}$
 $D/2 \begin{smallmatrix} 0 \\ -0.01 \end{smallmatrix}$
 $K=1.1547P$



KC (Verdrehwinkel der Positionierfläche im Bezug zur Schneide)
KC (Rotate drawing of positioning flat relative to the blade)

Befestigung: Passstift MS6-25
Material:
 SZ-PSPE entspricht SKD11 HRC60-63
 SZ-PSHE entspricht SKH51 HRC61-64
 SZ-PPHE Pulver-Schnellarbeitsstahl HRC64-67
 SZ-PSPCE entspricht SKD11 HRC60-63

Attachment: dowel pin MS6-25
Material:
 SZ-PSPE equivalent SKD11 HRC60-63
 SZ-PSHE equivalent SKH51 HRC61-64
 SZ-PPHE powder high speed steel HRC64-67
 SZ-PSPCE equivalent SKD11 HRC60-63

Bestell-Nr. Catalog No.		L	K max.	P min.	B
Typ Type	D				
SZ-PSPE (D4-25) SZ-PSHE (D4-25) SZ-PPHE (D4-25) SZ-PSPCE (D10-45)	4	(40) 50 60 70 80	3.9	2.00	8
	5		4.90	2.00	
	6		5.90	2.00	
	8		7.90	2.00	
	10		9.90	2.50	
	13	(40) (50) 60 70 80 90 100	12.90	3.00	13
	16	15.90	4.00		
	20	19.90	5.00		
	25	24.90	6.00	19	
	32	70 80 90 100 110 120	31.90		7.00
	38	80 90 100 110 120	37.90		8.00
	45	80 90 100 110 120	44.90		9.00

Bestellnummer / Order Number

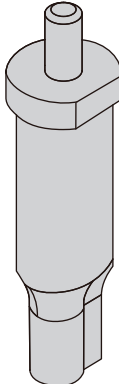
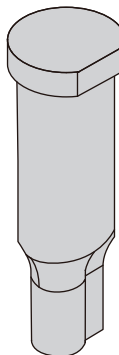
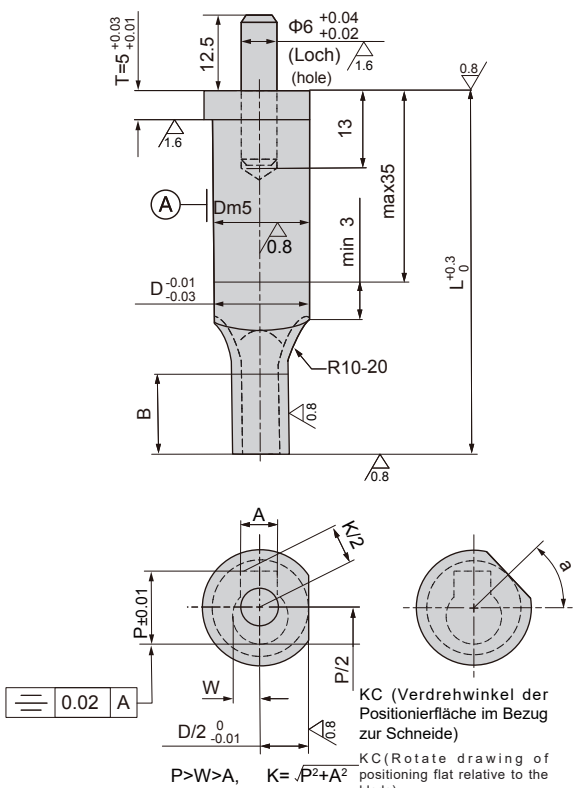
☎ Bestellnr. / Catalog No. - L - P

SZ-PSPE25 - 70 - 12
KC A=45 SZ-PSPE25 - 70 - 12 - KC45




DM-PSPF,DM-PSHF

DM-PPHF,DM-PSPCF

<p>DM-PSPCF</p> 	<p>DM-PSPF DM-PSHF DM-PPHF</p> 	
<p>Befestigung: Passstift MS60-63</p> <p>Material: DM-PSPF entspricht SKD11 HRC60-63 DM-PSHF SKH51 HRC61-64 DM-PPHF Pulver-Schnellarbeitsstahl HRC64-67 DM-PSPCF entspricht SKD11 HRC60-63</p> <p>Attachment : dowel pin MS60-63</p> <p>Material: DM-PSPF equivalent SKD11 HRC60-63 DM-PSHF SKH51 HRC61-64 DM-PPHF powder high speed steel HRC64-67 DM-PSPCF equivalent SKD11 HRC60-63</p>		

Bestell-Nr. Catalog No.		L	K max.	W min.	B
Typ Type	D				
DM-PSPF (D4-25) DM-PSHF (D4-25) DM-PPHF (D4-25) DM-PSPCF (D10-45)	4	(40) 50 60 70 80	3.90	2.00	8
	5		4.90	2.00	
	6		5.90	2.00	
	8	(40) (50) 60 70 80 90 100	7.90	2.00	13
	10		9.90	2.50	
	13		12.90	3.00	
	16		15.90	4.00	
	20		19.90	5.00	
	25	70 80 90 100 110 120	24.90	6.00	19
	32		31.90	7.00	
	38		37.90	8.00	
	45		44.90	9.00	
		80 90 100 110 120			

Bestellnummer / Order Number

	Bestellnr. / Catalog No.	-	L	-	P	-	W	-	A
	DM-PSPF25	-	70	-	12	-	10	-	8
KC A=45	DM-PSPF25	-	70	-	12	-	10	-	8 - KC45

