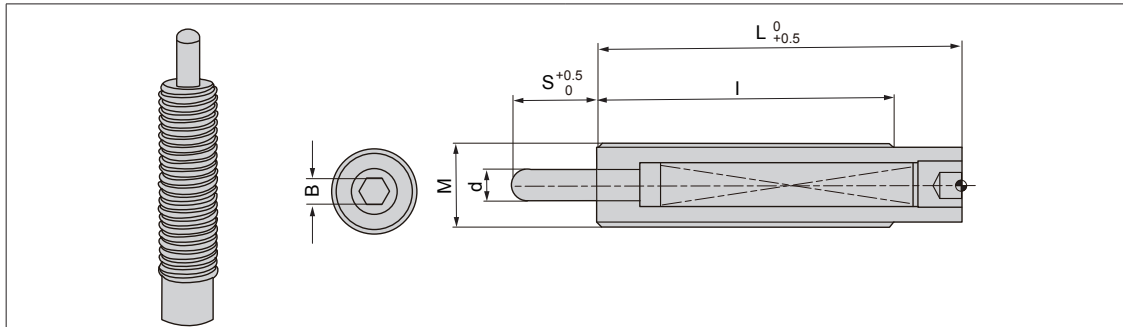



SZ-TDXL/SZ-TDXH


Material: Grundkörper S45C HRC29~35
Stift S45C HRC57~63 (gehärtet und angelassen)
Feder SWP-B

Material: Body S45C HRC29~35
Pin S45C HRC57~63 (Carburizing and quenching)
Spring SWP-B

Bestell-Nr. Catalog No.		MXP Gewinde/ Thread	d	S	l	L	B	SZ-TDXL Leichte Belastung/Light load		SZ-TDXH Schwere Belastung / Heavy load	
Typ Type	M-S							Kraft / Load (N) min. / max.		Kraft / Load (N) min. / max.	
SZ-TDXL (Leichte Belastung/ Light load)	3-1.5	3X0.5	1.1	1.5	10	10	0.9	0.5	1.0	0.8	2.9
	3-3	3X0.5	1.1	3	15	15	0.9	0.3	1.0	0.8	2.9
	4-2	4X0.7	1.6	2	15	15	1.3	1.0	2.0	2.9	8.8
	4-4	4X0.7	1.6	4	24	24	1.3	0.6	2.0	2.0	8.8
	5-3	5X0.8	2	3	20	20	1.5	2.0	9.8	4.9	19.6
	5-5	5X0.8	2	5	27	27	1.5	2.0	9.8	2.9	19.6
	6-3	6X1.0	2.5	3	25	25	2	5.9	9.8	7.8	29.4
	6-5	6X1.0	2.5	5	30	30	2	2.0	9.8	4.9	29.4
	8-3	8X1.25	3.1	3	25	25	2.5	5.9	9.8	14.7	29.4
	8-5	8X1.25	3.1	5	27	27	2.5	2.9	9.8	7.8	29.4
	10-5	10X1.5	3.8	5	30	30	3	5.9	14.7	8.8	49.0
	10-10	10X1.5	3.8	10	30	43	3	2.9	14.7	7.8	49.0
	12-5	12X1.75	5.5	5	30	30	4	5.9	14.7	18.6	49.0
	12-10	12X1.75	5.5	10	35	43	4	2.9	19.6	7.8	49.0
	12-15	12X1.75	5.5	15	35	51	4	2.9	19.6	4.9	49.0
	16-10	16X2.0	8	10	35	60	5	5.9	39.2	12.7	78.5
	16-15	16X2.0	8	15	35	60	5	3.9	39.2	12.7	78.5
	16-20	16X2.0	8	20	35	85	5	4.9	39.2	9.8	78.5
	16-30	16X2.0	8	30	35	125	5	2.9	39.2	6.9	78.5
	SZ-TDXH (Schwere Belastung/ Heavy load)	16-40	16X2.0	8	40	35	125	5	4.9	39.2	6.9
16-50		16X2.0	8	50	35	155	5	19.6	49.0	29.4	78.5
16-60		16X2.0	8	60	35	159	5	2.9	49.0	3.9	78.5
16-70		16X2.0	8	70	35	185	5	3.4	49.0	5.5	78.5
16-80		16X2.0	8	80	35	185	5	19.6	49.0	29.4	93.2
20-15		20X2.5	10	15	45	60	6	12.7	78.5	24.5	147.1
20-20		20X2.5	10	20	45	72	6	11.8	78.5	22.6	147.1
20-30		20X2.5	10	30	45	96	6	11.8	78.5	22.6	147.1
20-40		20X2.5	10	40	45	120	6	11.8	78.5	22.6	147.1
24-7		24X3.0	10	7	45	60	8	19.6	98.1	44.1	196.1
24-15	24X3.0	10	15	45	60	8	19.6	98.1	47.1	215.7	
24-20	24X3.0	10	20	45	75	8	17.7	98.1	44.1	215.7	
24-30	24X3.0	10	30	45	100	8	17.7	98.1	44.1	215.7	
24-40	24X3.0	10	40	45	124	8	17.7	98.1	44.1	215.7	
30-15	30X3.5	14	15	45	66	12	27.5	117.7	44.1	274.6	
30-20	30X3.5	14	20	45	78	12	27.5	117.7	53.0	274.6	
30-30	30X3.5	14	30	45	100	12	27.5	117.7	45.1	274.6	
30-40	30X3.5	14	40	45	123	12	27.5	117.7	47.1	274.6	

Bestellnummer / Order Number

	Bestellnr. / Catalog No.	-	M	-	S
	SX-TDXL	-	10	-	5

