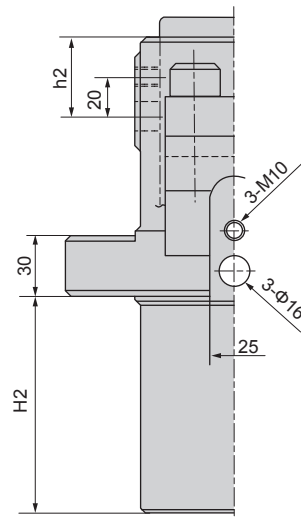
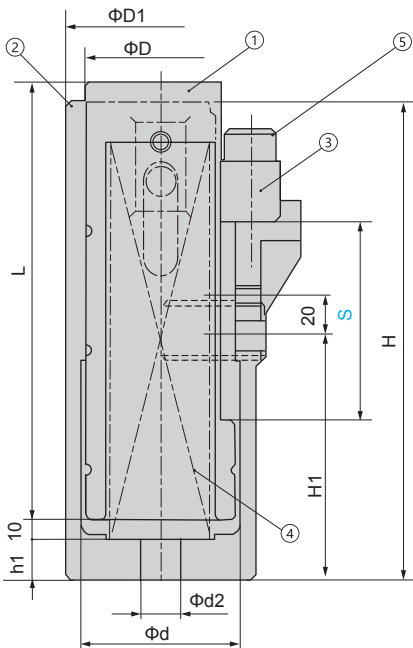
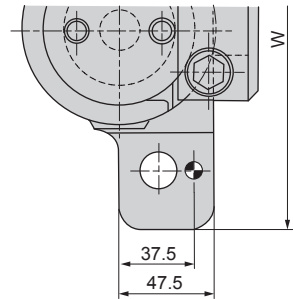
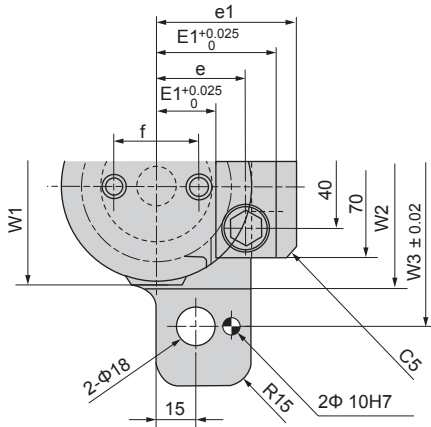


SX-TSA



Stückliste


Table of Components

Nr. No.	Beschreibung Description	Menge Qty	Material und Bemerkung Material and Remark
①	Heber Lifter	1	QT450
②	Buchse Bushing	1	HT300
③	Stopper	1	HT300+ Graphit/With Graphite
④	Feder Spring	1	S. Federliste/See Spring List
⑤	Innensechskantschraube Hexagon Socket Head Bolt	2	M16x50

D	S	D ₁	d	d ₂	H	H ₁	H ₂	h ₁	h ₂	E	e	E ₁	e ₁	W	W ₁	W ₂	W ₃
60	60	80	65	20	150	67.5	55	15	40	25	40	55	65	155	82	84	125
65	80	85	70	20	185	97.5	75	15	40	25	40	55	65	160	87	89	130
75	120	95	80	30	240	122.5	95	20	45	30	45	60	70	170	97	99	140

Bestell-Nr. Catalog No.	S	Anfang Initial		Ende Final		Feder Spring
		Länge Length (mm)	Kraft/Load (N)	Länge Length (mm)	Kraft/Load (N)	
SX-TSA	60	175	320	115	1088	TF40-200
	80	235	300	155	1900	TL40-250
	120	320	342	200	1710	TF50-350

Bestellnummer / Order Number

	Bestellnr. / Catalog No.	-	S
	SX-TSA	-	60

