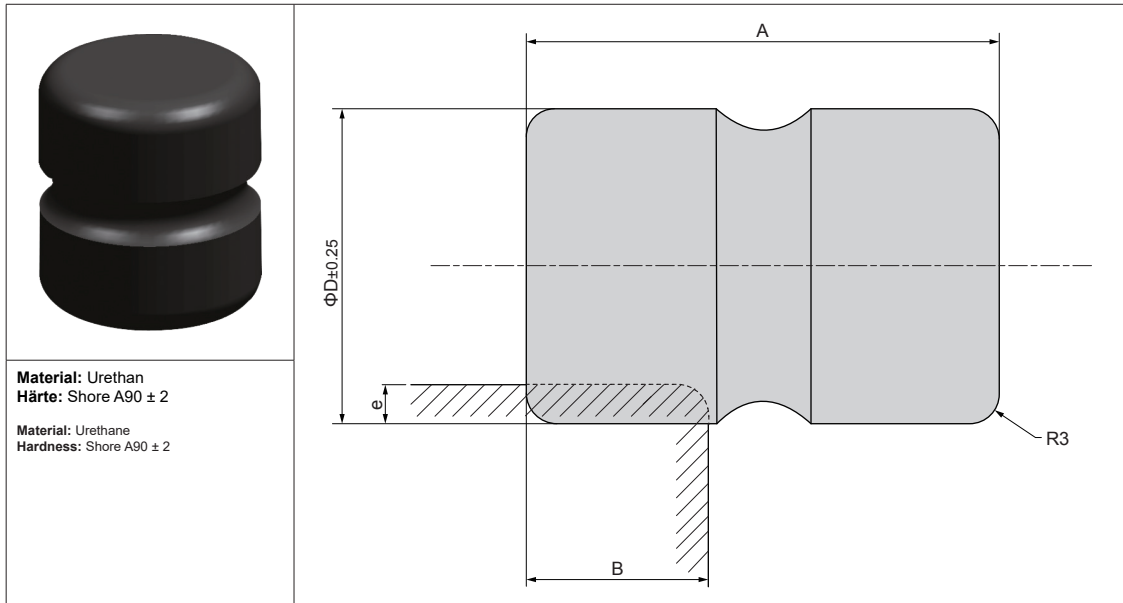
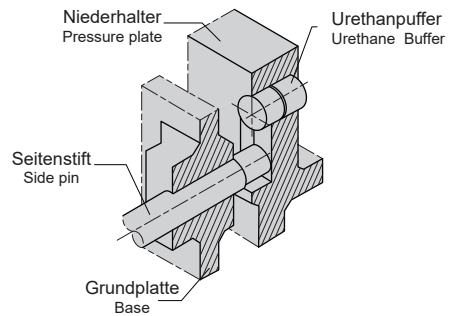



E24-HCKC


Bestell-Nr. Catalog No.	ΦD	A	Einpressmaß e Pres fit dimension e	B
E24-HCKC25-45	25	45	3	17
E24-HCKC32-50	32	50	6	17
E24-HCKC40-60	40	60	6	18
E24-HCKC50-70	50	70	8	25
E24-HCKC63-80	63	80	8	30
E24-HCKC80-90	80	90	10	34


Bestellnummer / Order Number

	Bestellnr. / Catalog No.	ΦD	-	A
	E24-HCKC	40	-	60



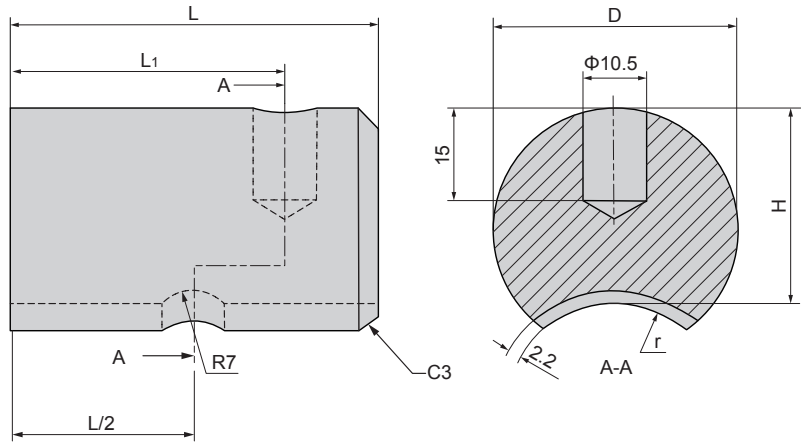


GM-HCKTA



Material: Urethan
Härte: Shore A92 ± 2

Material: Urethane
Hardness: Shore A92 ± 2



Bestell-Nr. Catalog No.	D	H	L	L ₁	r	Abmessung Positionierstift Dimension locator pin
GM-HCKTA40-60	40	32	60	45	18	32
GM-HCKTA50-80	50	40	80	60	23	40
GM-HCKTA63-80	63	51	80	60	35	50, 56, 63

Bestellnummer / Order Number



Bestellnr. / Catalog No.

D - L

GM - HCKTA

40 - 60

