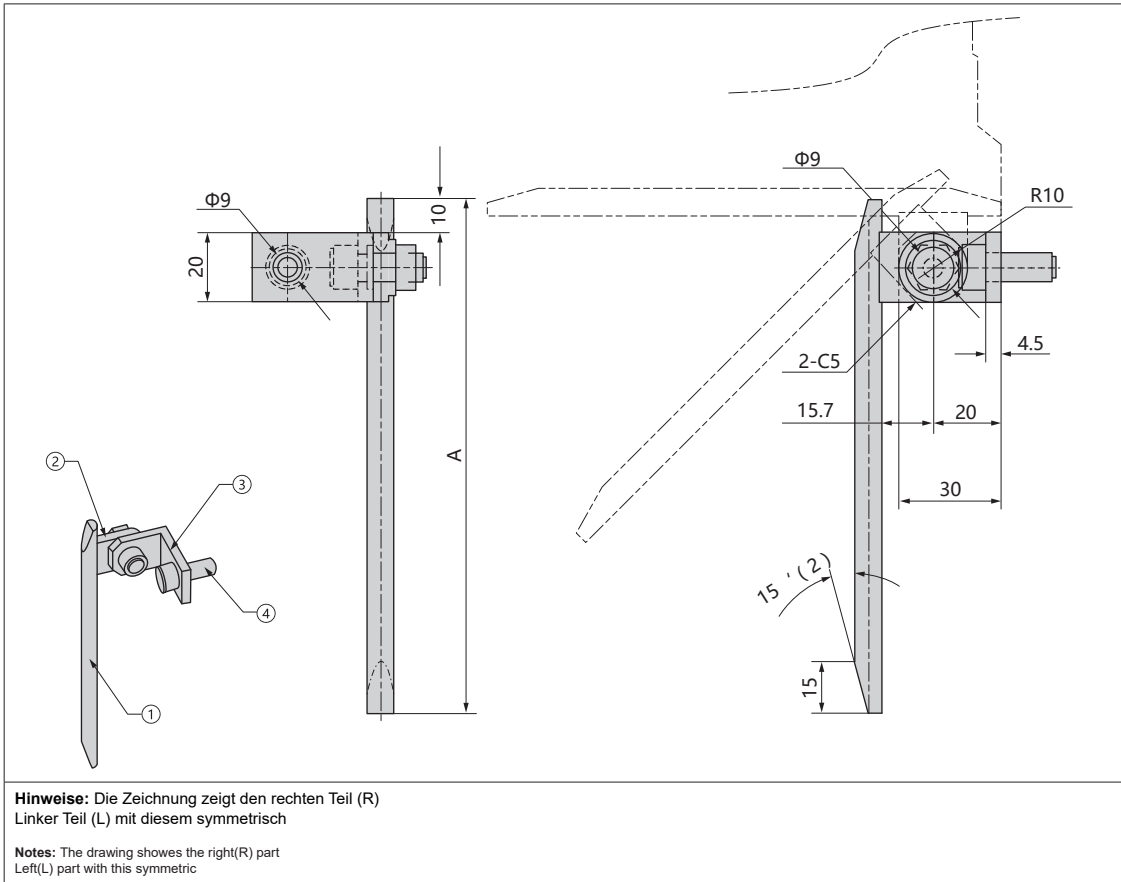
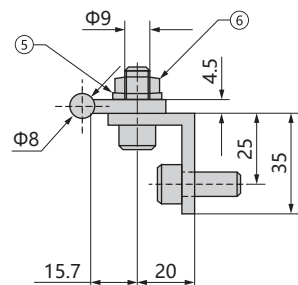



DM-FLKBA


Bestell-Nr. Catalog No.	Teilenummer Part Number	Beschreibung Description	Menge Quantity	Material	Spezifikationen Specifications
DM-FLKBA	1	Stange Round rod	1	C45	Φ 8 x A
	2	Verbindungsplatte Connecting plate	1	S235JR	4.5x20x26
	3	Halteplatte Holding plate	1	S235JR	4.5x20x65
	4	Schraube Screw	2		M8x20GB70
	5	Scheibe Washer	1		8 GB97.1
	6	Mutter Nut	1		M8GB/T6170


Bestellnummer / Order Number


 Bestellnr. / Catalog No. - **A** - **L/R**
DM-FLKBA - **150** - **R**

